



**US Army Corps
of Engineers**®
New England District
**696 Virginia Road
Concord, MA 01742-2751**

PUBLIC NOTICE

Comment Period Begins: April 29, 2014

Comment Period Ends: May 29, 2014

File Number: NAE-2013-1658

In Reply Refer To: Lindsay Flieger

Phone: (978) 318-8656

E-mail: Lindsay.Flieger@usace.army.mil

The District Engineer has received a permit application from the applicant below to conduct work in waters of the United States as described below.

APPLICANT Town of Ridgefield, CT

ACTIVITY To stabilize Third Lane Stream in order to reduce streambank erosion and prevent further sedimentation into Lake Mamasasco. A detailed description and plans of the activity are attached.

WATERWAY AND LOCATION OF THE PROPOSED WORK

This work is proposed in Third Lane Stream located opposite of 228 Mamasasco Road in Ridgefield, Connecticut. The proposed location on the USGS Peach Lake quadrangle sheet is at Lat/Long coordinates 41.32109 N and -73.53272 W.

AUTHORITY

Permits are required pursuant to:

Section 10 of the Rivers and Harbors Act of 1899

Section 404 of the Clean Water Act

Section 103 of the Marine Protection, Research and Sanctuaries Act).

The decision whether to issue a permit will be based on an evaluation of the probable impact of the proposed activity on the public interest. That decision will reflect the national concern for both protection and utilization of important resources. The benefit which may reasonably accrue from the proposal must be balanced against its reasonably foreseeable detriments. All factors which may be relevant to the proposal will be considered, including the cumulative effects thereof; among those are: conservation, economics, aesthetics, general environmental concerns, wetlands, cultural value, fish and wildlife values, flood hazards, flood plain value, land use, navigation, shoreline erosion and accretion, recreation, water supply and conservation, water quality, energy needs, safety, food production and, in general, the needs and welfare of the people.

The Corps of Engineers is soliciting comments from the public; Federal, state, and local agencies and officials; Indian Tribes; and other interested parties in order to consider and evaluate the impacts of this proposed activity. Any comments received will be considered by the Corps of Engineers to determine whether to issue, modify, condition or deny a permit for this proposal. To make this decision, comments are used to assess impacts on endangered species, historic properties, water quality, general environmental effects, and the other public interest factors listed above. Comments are used in the preparation of an Environmental Assessment and/or an Environmental Impact Statement pursuant to the National Environmental Policy Act. Comments are

CENAE-R
FILE NO. NAE-2013-1658

also used to determine the need for a public hearing and to determine the overall public interest of the proposed activity.

Where the activity involves the discharge of dredged or fill material into waters of the United States or the transportation of dredged material for the purpose of disposing it in ocean waters, the evaluation of the impact of the activity in the public interest will also include application of the guidelines promulgated by the Administrator, U.S Environmental Protection Agency, under authority of Section 404(b) of the Clean Water Act, and/or Section 103 of the Marine Protection Research and Sanctuaries Act of 1972 as amended.

SECTION 106 COORDINATION

Based on his initial review, the District Engineer has determined that the proposed work may impact properties listed in, or eligible for listing in, the National Register of Historic Places. Additional review and consultation to fulfil requirements under Section 106 of the National Historic Preservation Act of 1966, as amended, will be ongoing as part of the permit review process.

ENDANGERED SPECIES CONSULTATION

The New England District, Army Corps of Engineers has reviewed the list of species protected under the Endangered Species Act of 1973, as amended, which might occur at the project site. It is our preliminary determination that the proposed activity for which authorization is being sought is designed, situated or will be operated/used in such a manner that it is not likely to adversely affect any Federally listed endangered or threatened species or their designated critical habitat. By this Public Notice, we are requesting that the appropriate Federal Agency concur with our determination.

The States of Connecticut, Maine, Massachusetts, New Hampshire and Rhode Island have approved **Coastal Zone Management Programs**. Where applicable the applicant states that any proposed activity will comply with and will be conducted in a manner that is consistent with the approved Coastal Zone Management Program. By this Public Notice, we are requesting the State concurrence or objection to the applicant's consistency statement.

The following authorizations have been applied for, or have been, or will be obtained:

- () Permit, License or Assent from State.
- () Permit from Local Wetland Agency or Conservation Commission.
- (X) Water Quality Certification in accordance with Section 401 of the Clean Water Act.

In order to properly evaluate the proposal, we are seeking public comment. Anyone wishing to comment is encouraged to do so. **Comments should be submitted in writing by the above date.** If you have any questions, please contact Lindsay Flieger at (978) 318-8656, (800) 343-4789 or (800) 362-4367, if calling from within Massachusetts.

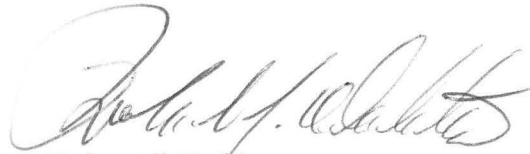
Any person may request, in writing, within the comment period specified in this notice, that a public hearing be held to consider the application. Requests for a public hearing shall specifically state the reasons for holding a public hearing. The Corps holds public hearings for the purpose of obtaining public comments when that is the best means for understanding a wide variety of concerns from a diverse segment of the public.

The initial determinations made herein will be reviewed in light of facts submitted in response to this notice.

CENAE-R
FILE NO. NAE-2013-1658

All comments will be considered a matter of public record. Copies of letters of objection will be forwarded to the applicant who will normally be requested to contact objectors directly in an effort to reach an understanding.

THIS NOTICE IS NOT AN AUTHORIZATION TO DO ANY WORK.



Robert J. DeSista
Chief, Permits and Enforcement Branch
Regulatory Division

If you would prefer not to continue receiving Public Notices, please contact Ms. Tina Chaisson at (978) 318-8058 or e-mail her at bettina.m.chaisson@usace.army.mil. You may also check here () and return this portion of the Public Notice to: Bettina Chaisson, Regulatory Division, U.S. Army Corps of Engineers, 696 Virginia Road, Concord, MA 01742-2751.

NAME: _____
ADDRESS: _____

PROPOSED WORK AND PURPOSE

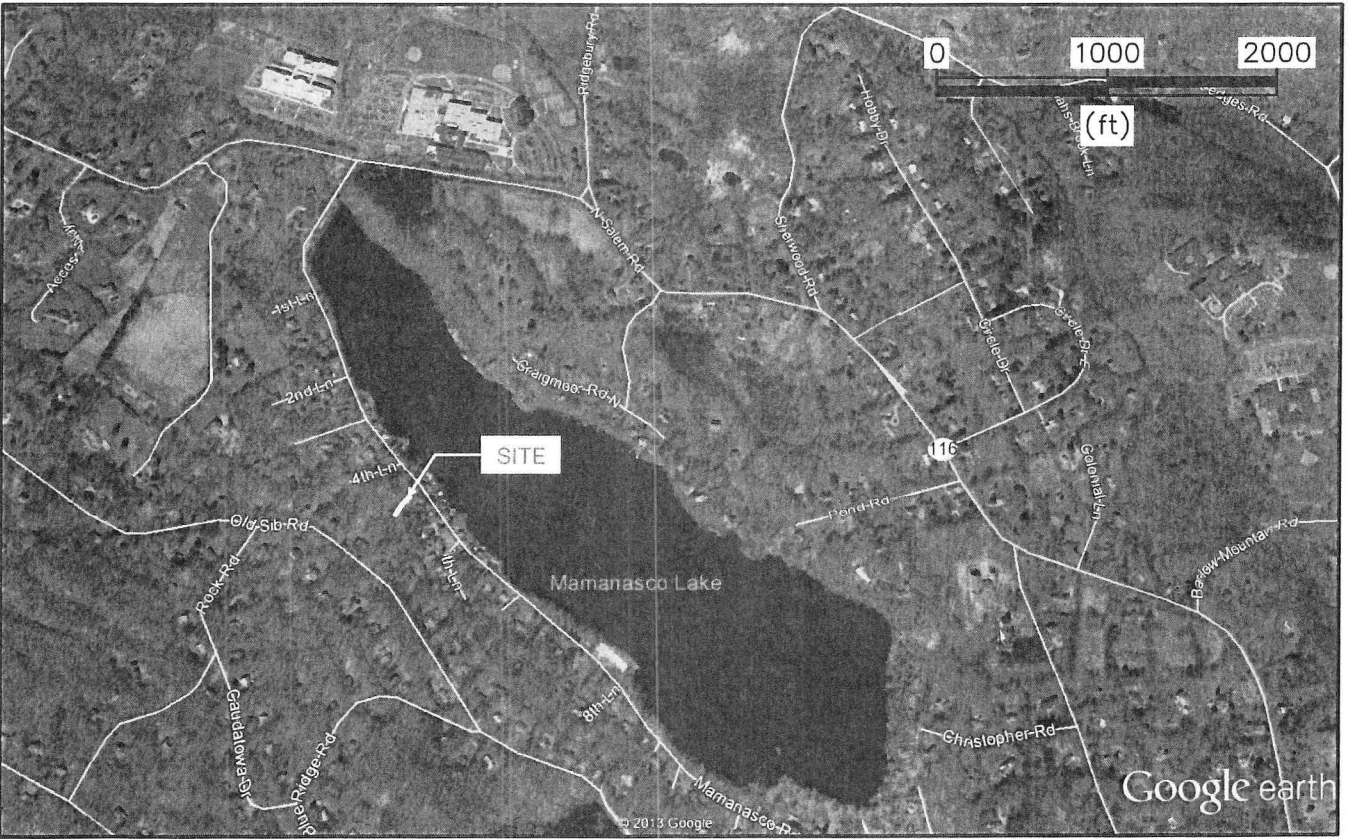
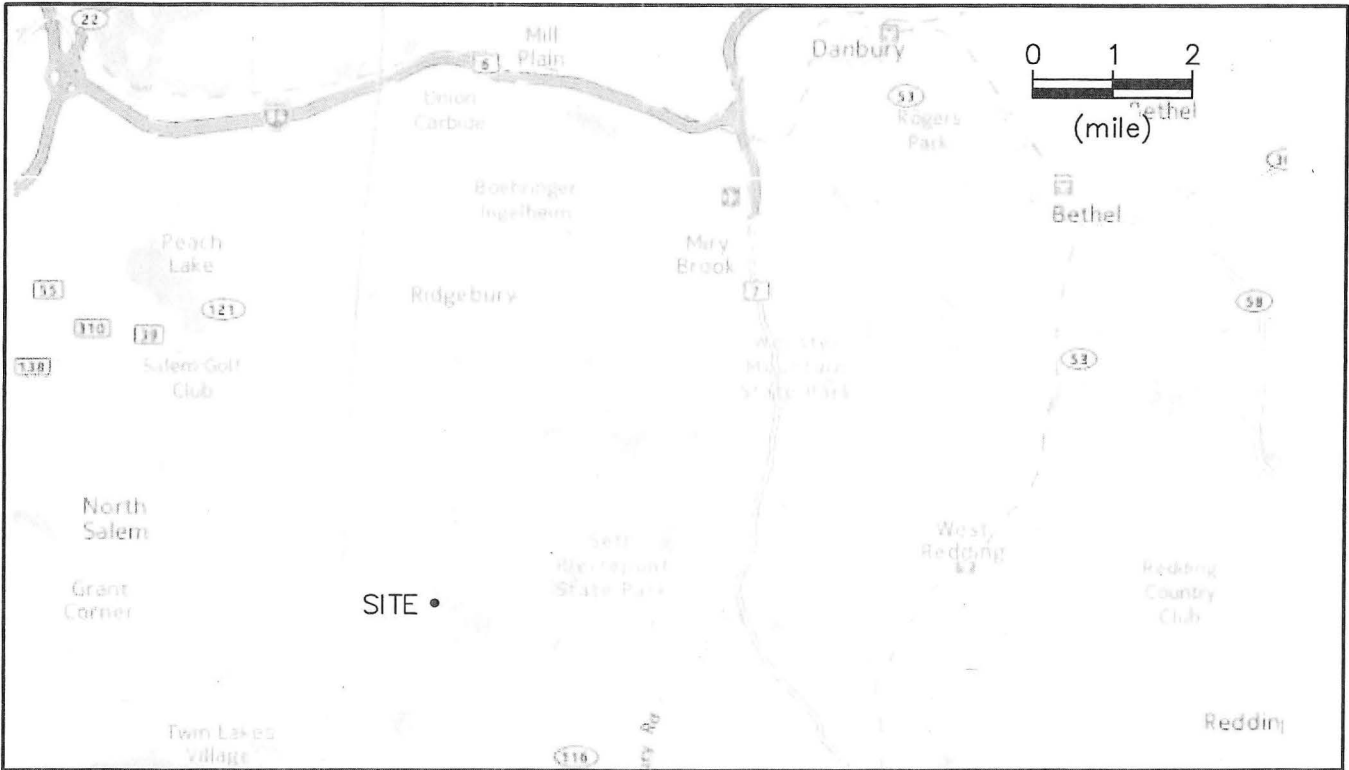
The Town of Ridgefield is proposing to stabilize a segment of Third Lane Stream in order to prevent streambank erosion and reduce sedimentation into Lake Mamasasco.

Work includes regrading approximately 210 feet of the streambed and some minor regrading of the adjacent streambanks. Filter fabric will be placed across the channel bottom and topped with crushed stone in preparation for a 1 foot thick gabion mattress. The gabion mattress will be filled with stones 4" or greater in diameter. Following the placement of the channel bottom mattress, filter fabric will be extended up the streambanks and gabion baskets will be wired into place. An additional gabion layer will be added, where necessary, to meet the adjacent grade. Fill material will then be placed between the gabion baskets and the streambank in order to fill the voids. Approximately 2,700 square feet of wetland/watercourse will be impacted.

Boulders will also be placed within the new, gabion-lined channel and along the downstream edge of the large flat pooling area as shown on plan sheet AC3 and AC6. The purpose of the boulders is to reduce the flow and stream velocity.

The work is described on the enclosed plans entitled "Mamasasco Lake Improvement Fund, 3rd Lane Stream Restoration, Ridgefield, CT," on seven sheets, and dated "02-01-2013."

MITIGATION – The applicant will use a silt fence during construction of the gabion walls in order to minimize impacts to the surrounding area. Construction on the lower half of the stream will be avoided so as to further reduce environmental impacts. The applicant has also proposed to plant native vegetation along the tops of the gabion walls to compensate for the loss of wetland/watercourse.



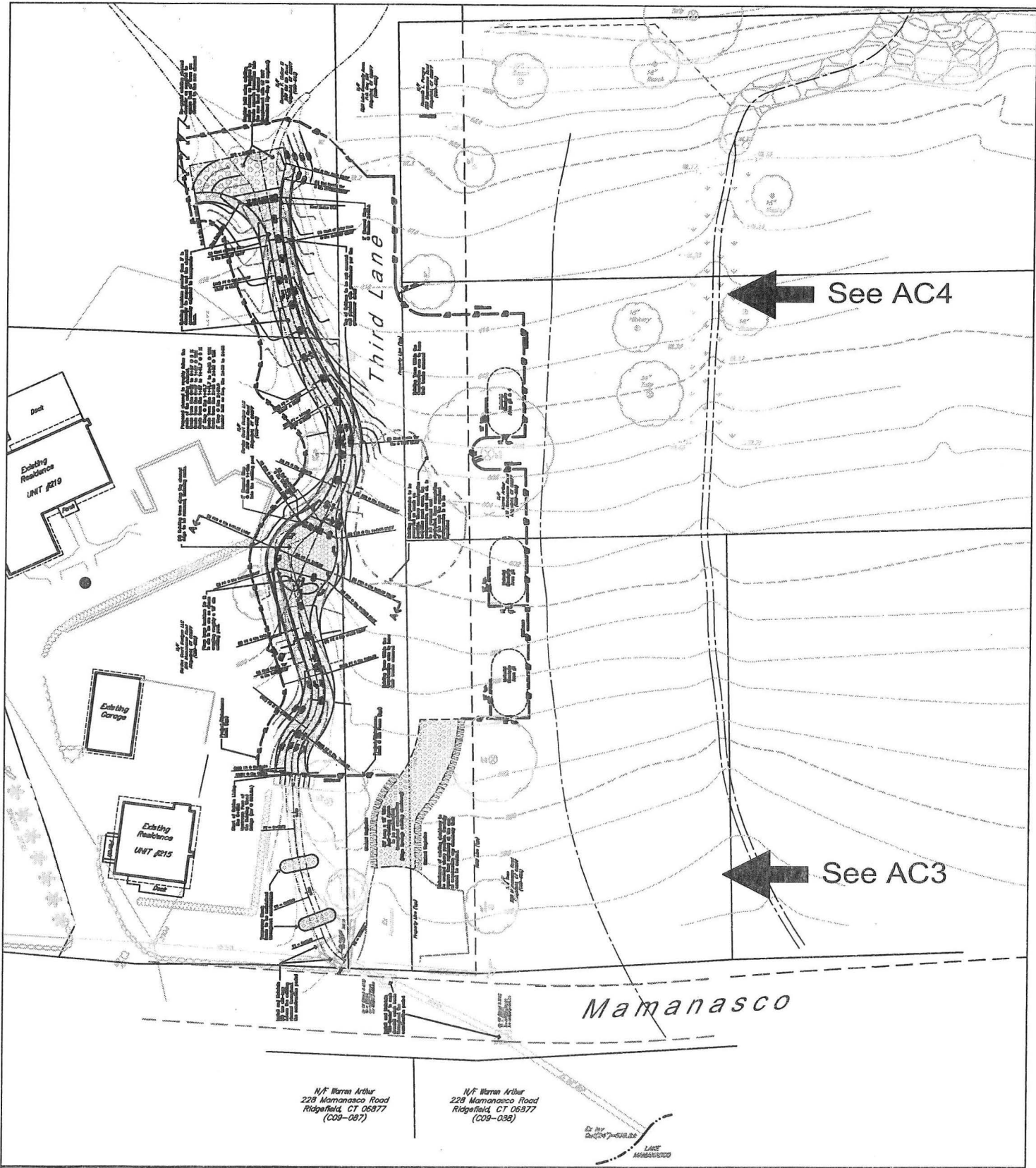
J.F.M. Engineering, Inc.



230 Great Plain Road
 Danbury, CT 06811
 Ridgefield Tel (203) 438-8825
 Phone (203) 300-5557 : Fax (203) 300-5598
 www.jfmengineering.com

Title: Location Plans		Date: 02-01-2013
Project: Mamanasco Lake Improvement Fund 3rd Lane Stream Restoration, Ridgefield, CT (Sheet 1 of 7)		AC#: --
Scale: As Shown	North Arrow:	Drawing No.: AC1





N/F Warren Arthur
228 Mamasasco Road
Ridgefield, CT 06377
(203-097)

N/F Warren Arthur
228 Mamasasco Road
Ridgefield, CT 06377
(203-098)

Mamasasco

J.F.M. Engineering, Inc.

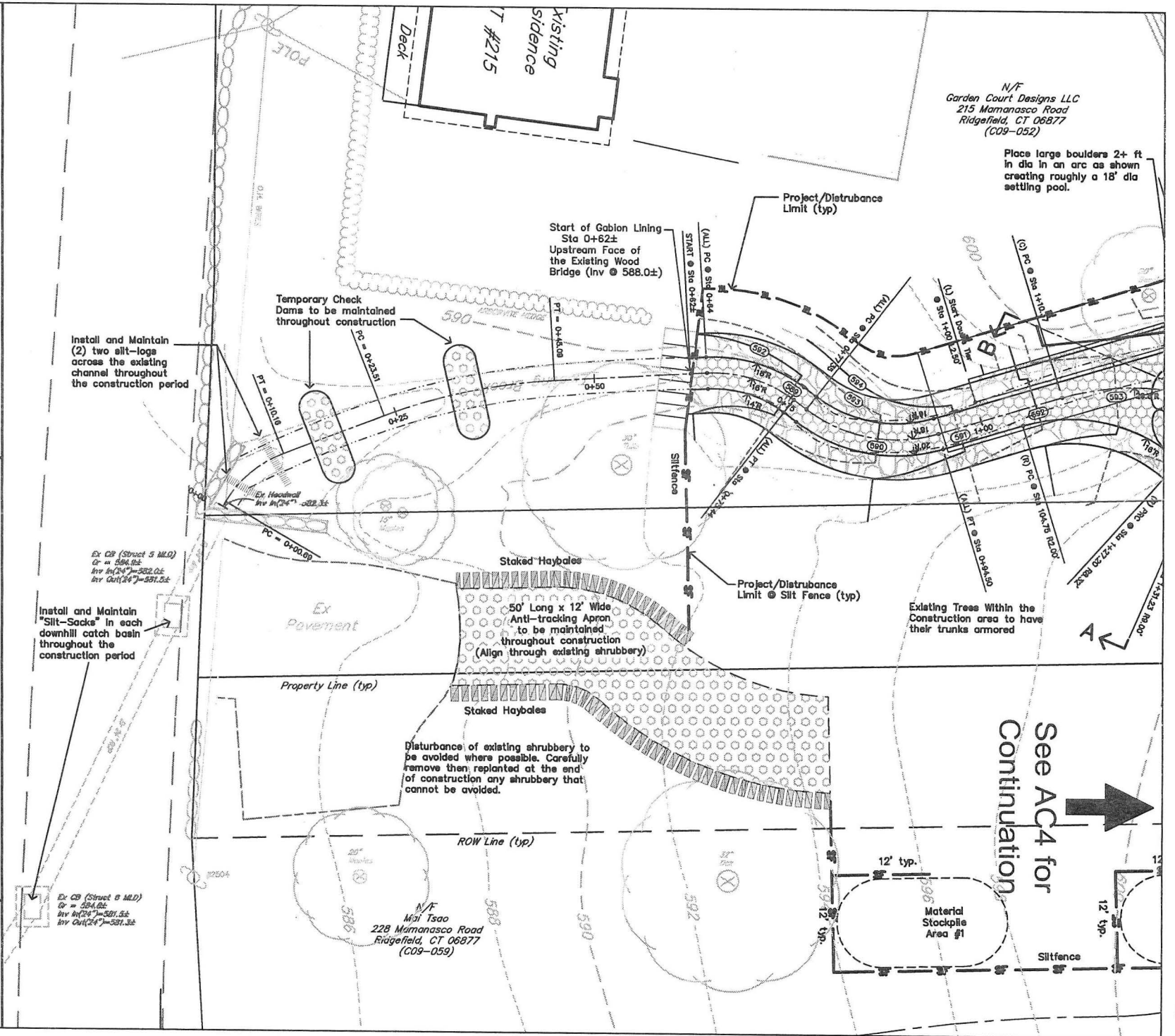


230 Great Plain Road
Danbury, CT 06811
Ridgefield Tel (203) 438-8825
Phone (203) 300-5557 : Fax (203) 300-5598
www.jfmengeering.com

Title: Overview Plan		Date: 02-01-2013
Project: Mamasasco Lake Improvement Fund 3rd Lane Stream Restoration, Ridgefield, CT (Sheet 2 of 7)		AC#: --
Scale: 1"=40' 0 20 40 80	North Arrow:	Drawing No.: AC2

N/F
Garden Court Designs LLC
215 Mamasasco Road
Ridgefield, CT 06877
(C09-052)

Place large boulders 2+ ft
in dia in an arc as shown
creating roughly a 18' dia
settling pool.



See AC4 for
Continuation



J.F.M. Engineering, Inc.

230 Great Plain Road
Danbury, CT 06811

Ridgefield Tel (203) 438-8825

Phone (203) 300-5557 : Fax (203) 300-5598

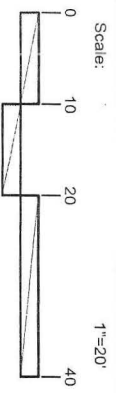
www.jfmengeering.com



Consulting Civil
Engineers

Easterly Portion Plan

Title: Easterly Portion Plan
Project: Mamasasco Lake Improvement Fund
3rd Lane Stream Restoration, Ridgefield, CT
(Sheet 3 of 7)

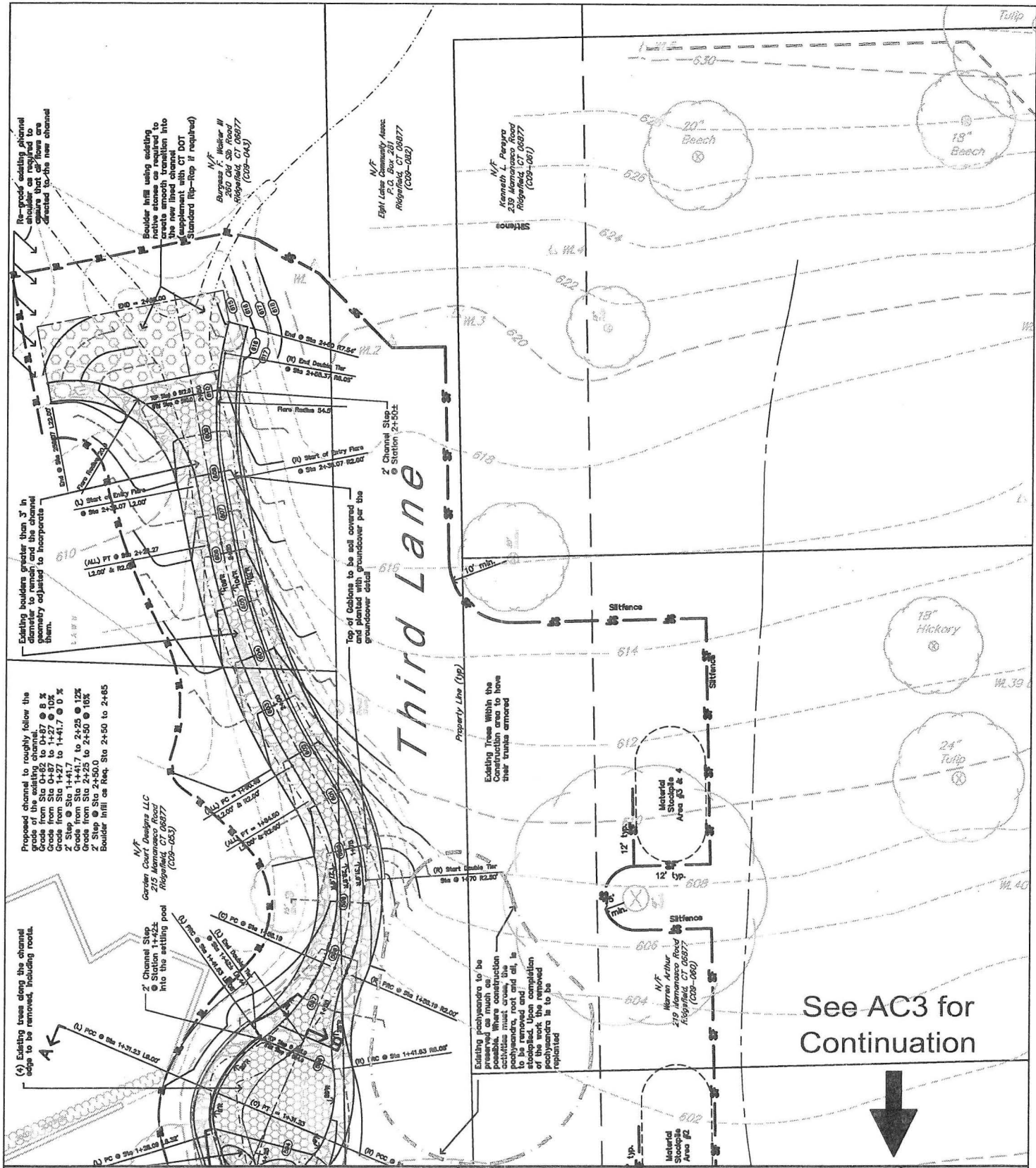


Drawing No.: AC3

Date: 02-01-2013

N/F
Moi Tsao
228 Mamasasco Road
Ridgefield, CT 06877
(C09-059)

110



See AC3 for Continuation



J.F.M. Engineering, Inc.



230 Great Plain Road
Danbury, CT 06811
Ridgefield Tel (203) 438-8825
Phone (203) 300-5557 : Fax (203) 300-5598
www.jfmengeering.com

Title: Westery Portion Plan		Date: 02-01-2013
Project: Mamasco Lake Improvement Fund 3rd Lane Stream Restoration, Ridgefield, CT (Sheet 4 of 7)		AC# --
Scale: 1"=20' 0 10 20 40	North Arrow:	Drawing No.: AC4

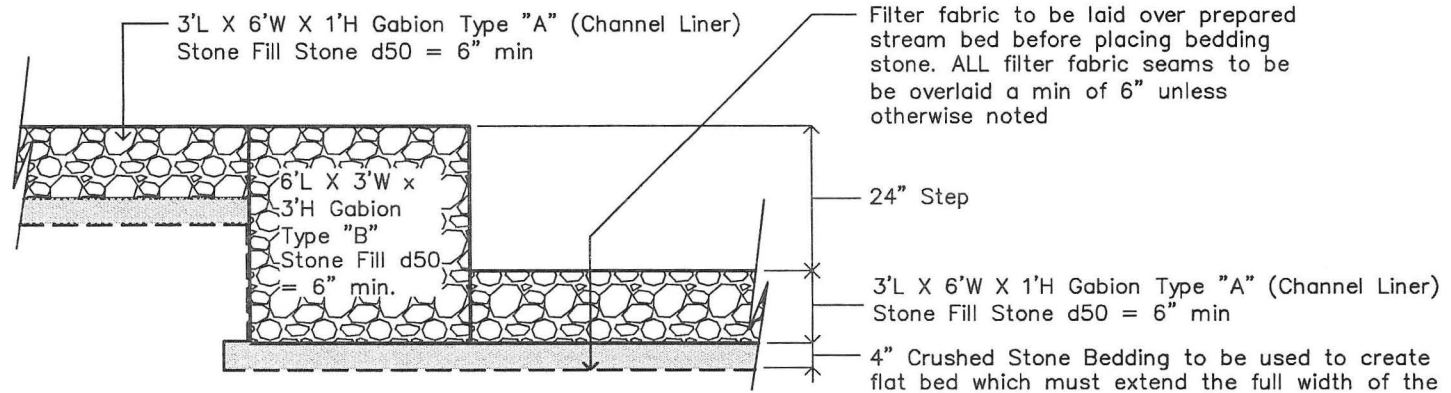


J.F.M. Engineering, Inc.
 230 Great Plain Road
 Danbury, CT 06811
 Ridgefield Tel (203) 438-8825
 Phone (203) 300-5557 : Fax (203) 300-5598
 www.jfmengeering.com

Typical Stream Cross-Sections

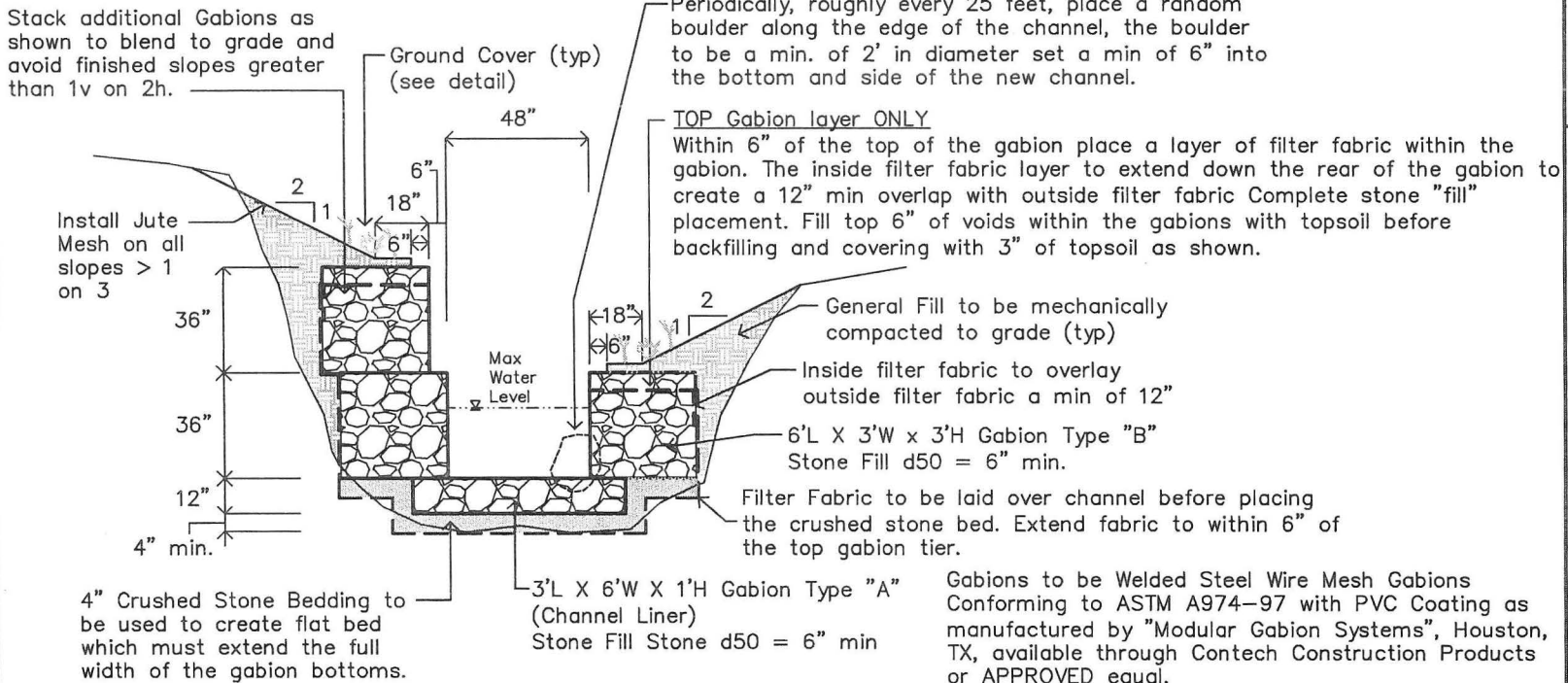
Title: **Typical Stream Cross-Sections**
 Project: Mamanasco Lake Improvement Fund
 3rd Lane Stream Restoration, Ridgefield, CT
 (Sheet 5 of 7)

Date: 02-01-2013
 AC#:
 Drawing No.: **ACS**



GABION STEP X-SECTION DTL

SCALE = NOT TO SCALE



GABION X-SECTION DTL

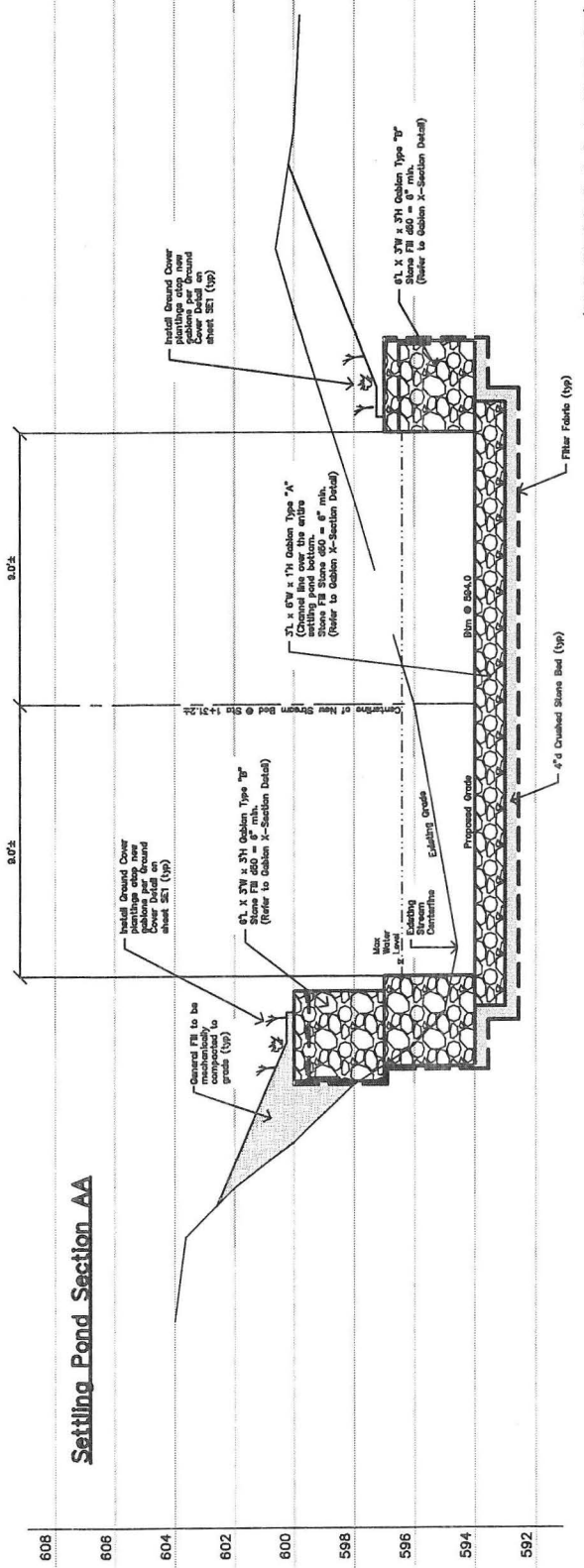
SCALE = NOT TO SCALE

Gabions to be Welded Steel Wire Mesh Gabions Conforming to ASTM A974-97 with PVC Coating as manufactured by "Modular Gabion Systems", Houston, TX, available through Contech Construction Products or APPROVED equal.

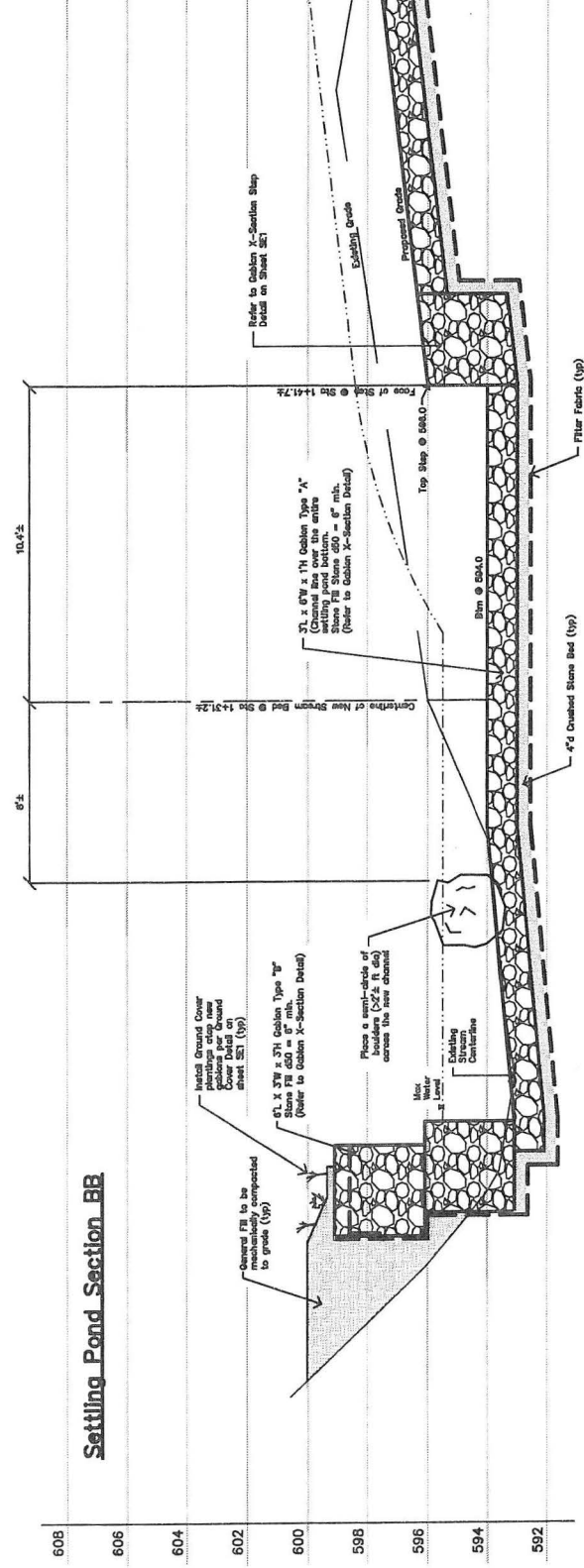
Modular Gabion Systems, local contact:
 Thomas Hennessey (774) 402-0312,
 email: HennesseyT@contech-cpi.com

12

Settling Pond Section AA



Settling Pond Section BB



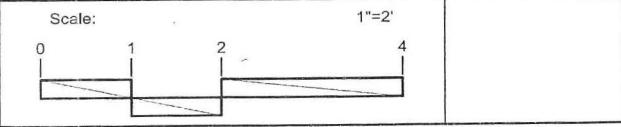
J.F.M. Engineering, Inc.



230 Great Plain Road
 Danbury, CT 06811
 Ridgefield Tel (203) 438-8825
 Phone (203) 300-5557 : Fax (203) 300-5598
 www.jfmenengineering.com

Title: **Settling Pond Cross-Sections**

Project: **Mamasasco Lake Improvement Fund
 3rd Lane Stream Restoration, Ridgefield, CT
 (Sheet 6 of 7)**



Date: 02-03-2012

AC# --

Drawing No.: **AC6**

General Notes

1. All construction and structures shall comply with Town of Ridgefield, CT requirements and applicable conditions of approval. A driveway Permit issued by the Highway Department shall be required for all work in Mamasco Rd and Third Lane.
2. Property line information compiled from mapping provided by Frank Fowler, Land Surveyor Ridgefield, CT and RKW Land Surveyors, New Canaan, CT.
3. Topographic Information compiled from mapping provided by Frank Fowler, Land Surveyor Ridgefield, CT, RKW Land Surveyor, New Canaan, CT and the Town of Ridgefield Town Mapping. Topography shown for general guidance. All elevations to be field confirmed by the Contractor.
4. Information on existing utilities has been compiled from available information including utility company, Municipal record maps and field survey and is NOT guaranteed correct or complete. Utilities (except sewers) are shown to alert the contractor to their presence and the contractor is solely responsible for determining actual locations and elevations of all utilities including services. Prior to construction, the Contractor shall verify all locations and contact "Call Before You Dig" at 1-800-922-4455.
5. Wetland soils approximated from available mapping.
6. All filter fabric to be Non-Woven filter fabric having a unit weight of 1.5 oz/sy with a permeability of 3.0 sec/ft and a trapezoid tear strength of 35 lbs.
7. Gabions to be PVC coated steel wire metal baskets from "Modular Gabion Systems" in the sizes shown in the cross-section detail. Gabions to be installed per the manufactures recommendations including fastening clips provided by the manufacturer to close and connect the baskets.
8. Gabions to be hand filled (NOT MACHINE FILLED) with stone sizes listed in the detail with NO stones less than 4" in diameter. Stone shall be laid in a manner assuring the stones can not pass through the basket weave. Both the hand laying and the minimum stone sizing are critical in a successful installation.
9. Existing invasive vegetation as noted below found within the construction area are to be removed, including the roots, with as little disturbance as possible.
 - a) Japanese Barberry (*Berberis thunbergii*)
 - b) Garlic Mustard (*Alliaria petiolata*)
 - c) Black Swallow-wort (*Vincetoxicum nigrum*; syn. *Cynanchum louiseae*)

Disturbance Summary Table

Description	Wetland Banks	Wetland/WC Bed	Total WL/WC	Upland	Totals
Area to be Disturbed	2,703 sf	1,155 sf	3,858 sf	1,095 sf	4,953 sf
Area to be Armored	1,549 sf	1,150 sf	2,699 sf	35 sf	2,734 sf
Approximate Amount of Fill to be placed in the wetlands = 271 cy (armor) + 34 cy (Crushed Stone) = 305 cy (total)					
Approximate Amount of Fill to be placed in the uplands = 4 cy (armor) = 4 cy (total)					
<i>(Note: Approximately 80 cy of existing material within the wetlands will be excavated and then placed in other wetland areas)</i>					
Approximate Amount (length) of Stream Bed to be Permanently Altered with Armoring = 208 feet					

J.F.M. Engineering, Inc.



230 Great Plain Road
 Danbury, CT 06811
 Ridgefield Tel (203) 438-8825
 Phone (203) 300-5557 : Fax (203) 300-5598
 www.jfmengeering.com

Title: Notes & Data		Date: 02-01-2013
Project: Mamasco Lake Improvement Fund 3rd Lane Stream Restoration, Ridgefield, CT (Sheet 7 of 7)		AC# --
Scale: Not Applicable	Drawing No.: AC7	