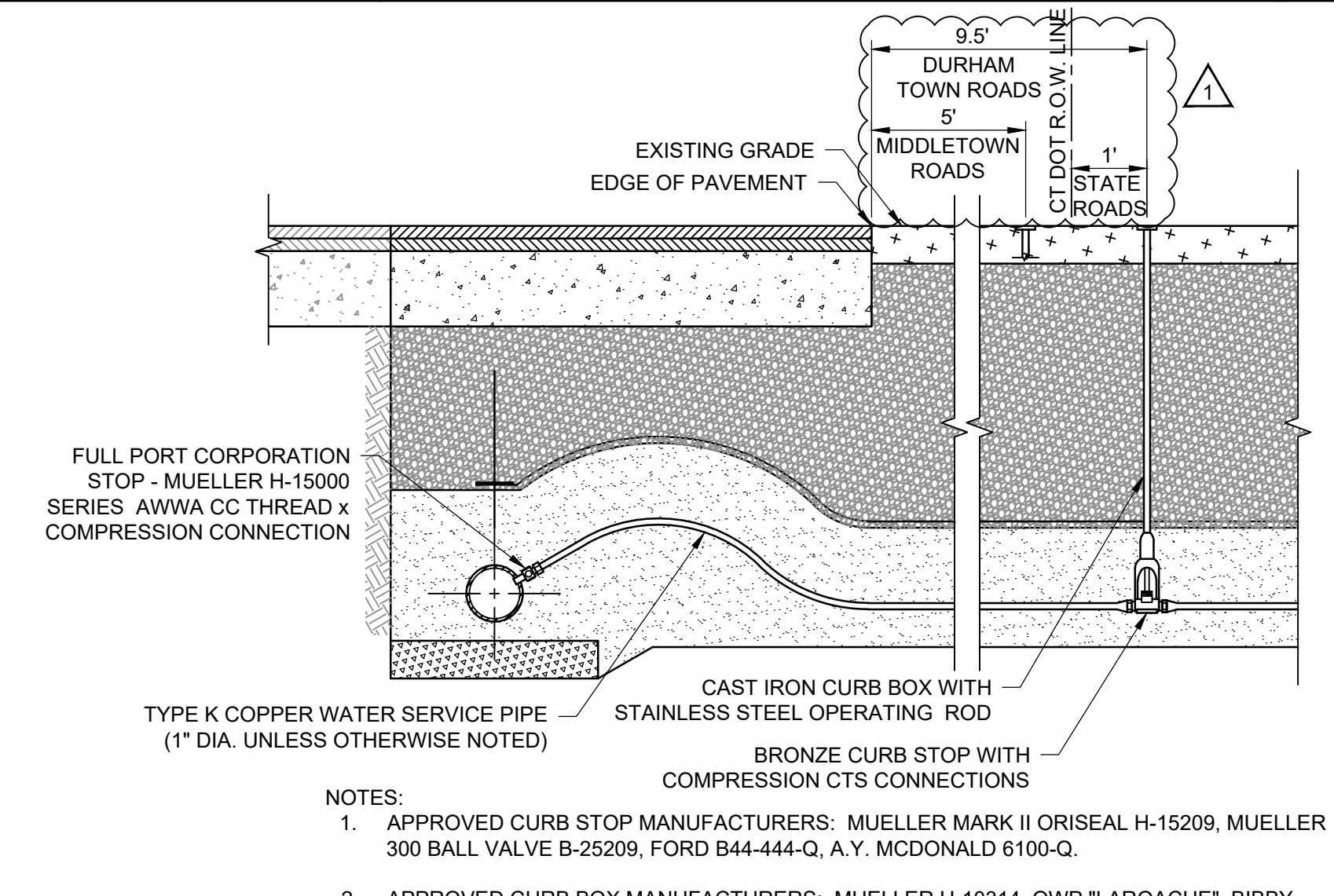


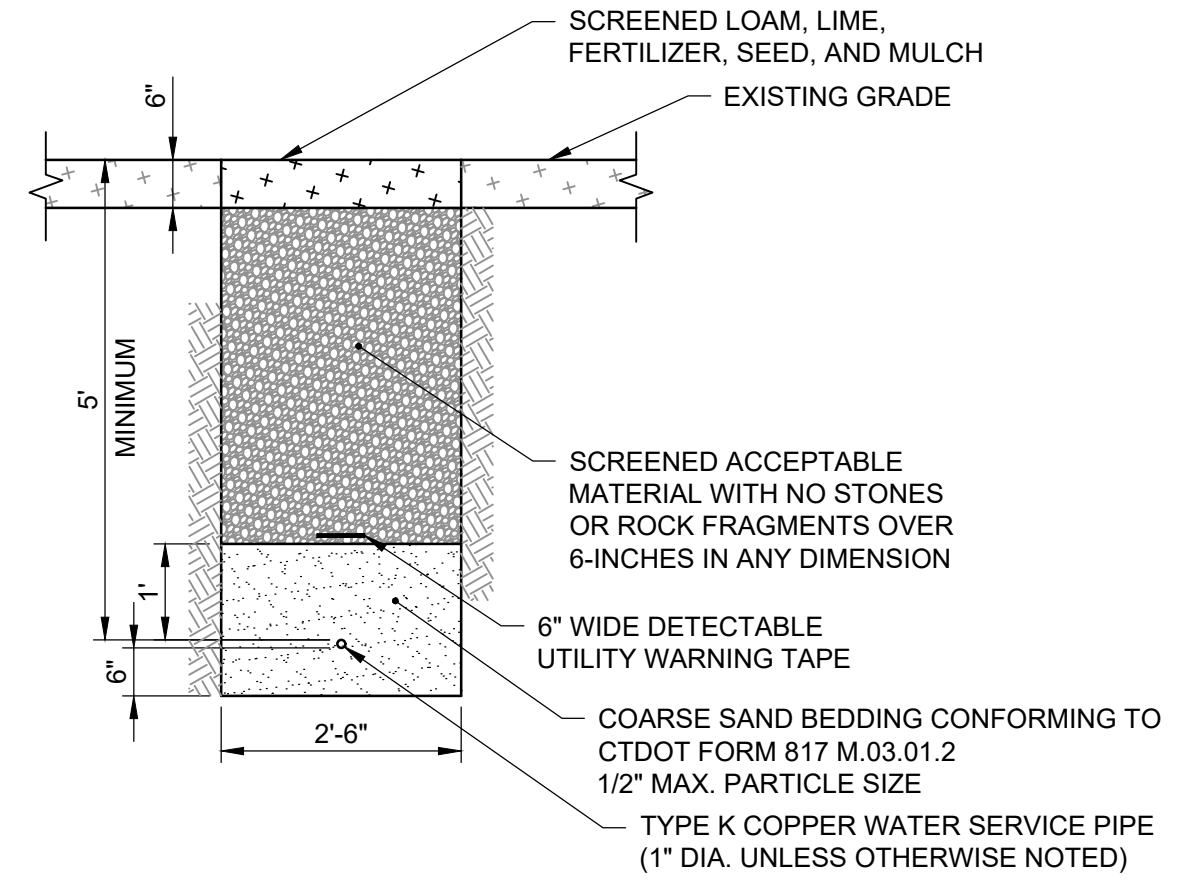
- NOTES:**
1. PLUMBING WORK SHALL BE PERFORMED IN ACCORDANCE WITH THE CONNECTICUT STATE BUILDING CODE IN EFFECT AT THE TIME WORK IS PERFORMED BY A PLUMBER LICENSED IN THE STATE OF CONNECTICUT.
  2. CONTRACTOR SHALL OBTAIN ALL PERMITS AND PAY ALL FEES ASSOCIATED WITH THIS WORK PRIOR TO PERFORMING WORK. A COPY OF THE WORK PERMIT SHALL BE AT THE PROJECT LOCATION AND AVAILABLE FOR INSPECTION AT ALL TIMES WORK IS BEING PERFORMED.
  3. ALL PIPING SHALL BE SUPPORTED FROM BUILDING STRUCTURE. PIPE TO PIPE SUPPORTS ARE NOT ALLOWED.
  4. PITCH ALL WATER LINES TO DRAIN.
  5. BACKFLOW PREVENTER SHALL BE TESTED BY A CERTIFIED TESTER AND CERTIFIED TO BE IN GOOD WORKING ORDER AND SUITABLE FOR USE. FURNISH TESTING RESULTS TO OWNER.
  6. NO BUILDING STRUCTURAL MEMBERS ARE TO BE CUT.
  7. CONTRACTOR SHALL COORDINATE WITH THE CONNECTICUT WATER COMPANY FOR WATER SERVICE INSPECTION AND WATER METER INSTALLATION.
  8. CONTRACTOR SHALL REMOVE ALL CONSTRUCTION DEBRIS AND RESTORE WORK AREA TO EXISTING CONDITIONS.
  9. CONTRACTOR SHALL PROVIDE TEMPORARY WATER METER SPREADERS AS NEEDED.

**1 | TYPICAL BUILDING WATER SERVICE SCHEMATIC DETAIL**  
NOT TO SCALE



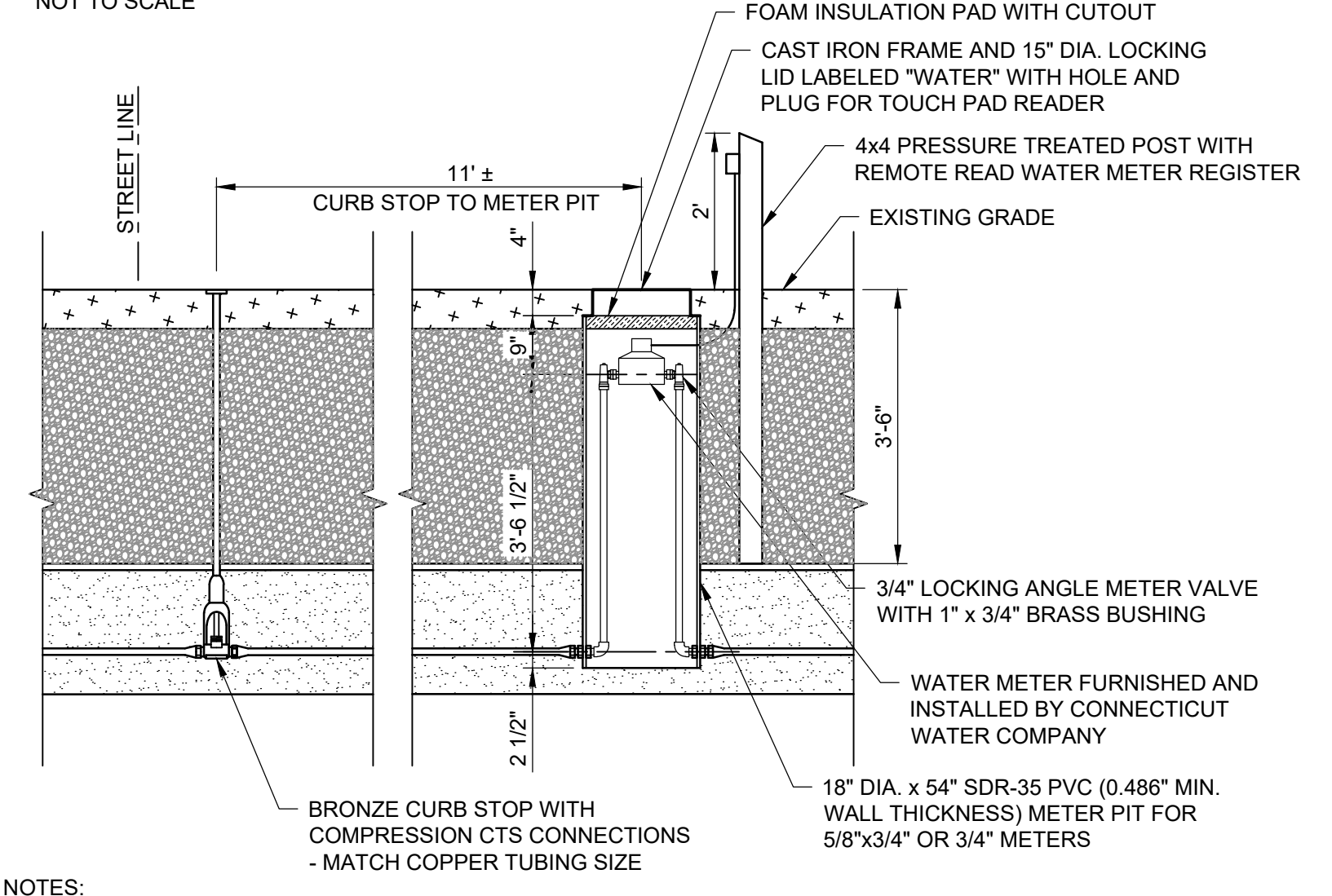
- NOTES:**
1. APPROVED CURB STOP MANUFACTURERS: MUELLER MARK II ORISEAL H-15209, MUELLER 300 BALL VALVE B-25209, FORD B44-444-Q, A.Y. MCDONALD 6100-Q.
  2. APPROVED CURB BOX MANUFACTURERS: MUELLER H-10314, QWP "LAROACHE", BIBBY #R1500. PROVIDE STAINLESS STEEL OPERATING ROD.

**2 | NEW WATER SERVICE AND CURB STOP DETAIL**  
NOT TO SCALE



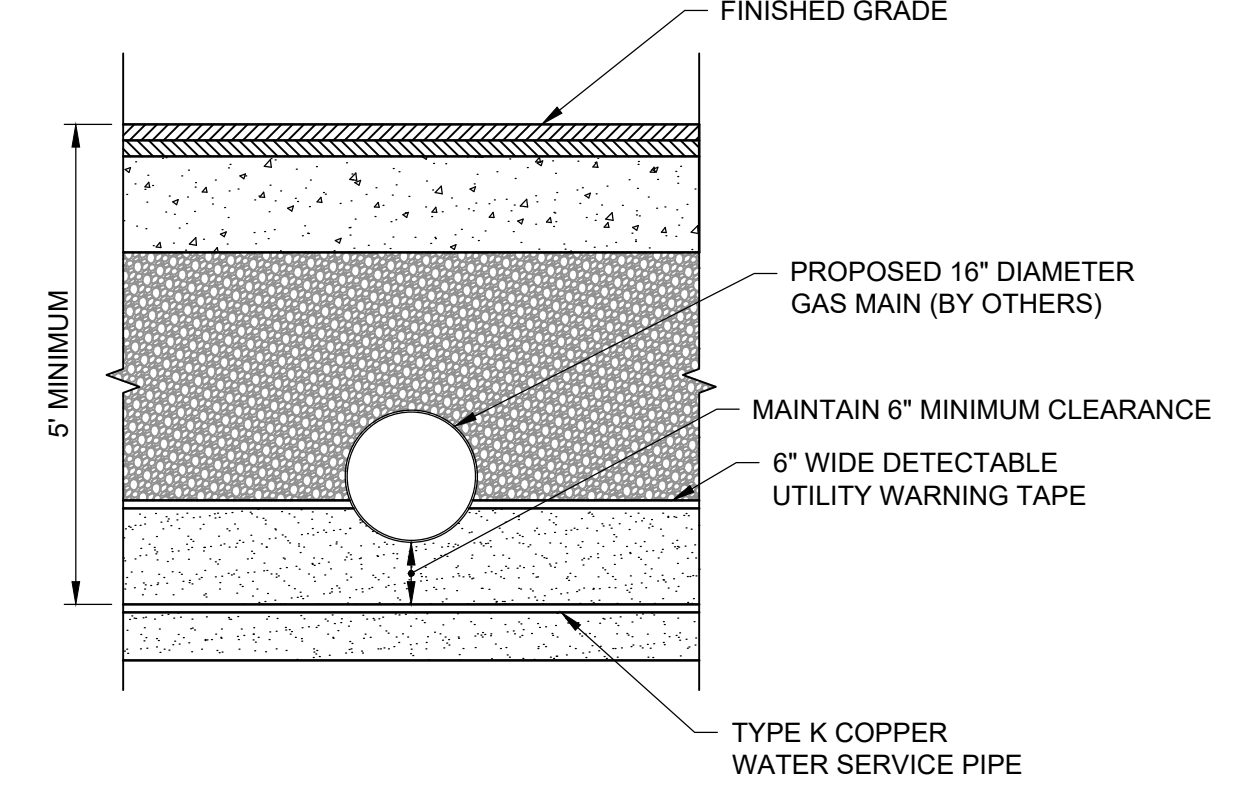
- NOTE:**
1. COORDINATE WITH CONNECTICUT WATER COMPANY FOR INSPECTION AND TESTING OF WATER SERVICE PIPE PRIOR TO BACKFILLING WATER SERVICE TRENCH.

**3 | WATER SERVICE TRENCH DETAIL**  
NOT TO SCALE

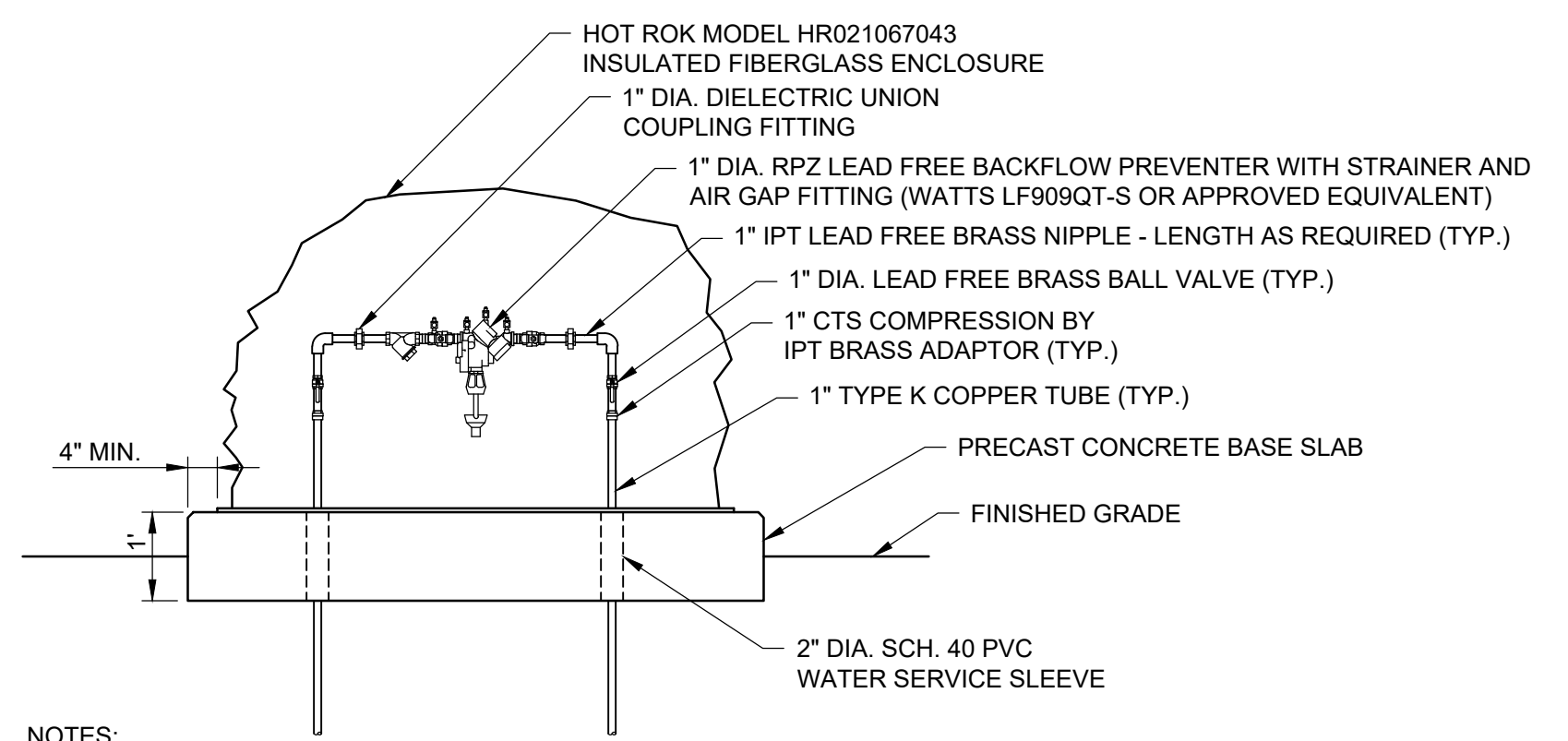


- NOTES:**
1. METER PITS TO BE INSTALLED ON WATER SERVICE LINES LONGER THAN 150' OR IN SPECIAL CIRCUMSTANCES.
  2. WATER METER PIT TO BE OWNED AND MAINTAINED BY PROPERTY OWNER.
  3. FURNISH AND INSTALL REDUCING FITTINGS IF REQUIRED TO MATE WITH METER PIT PIPING SIZES.
  4. FURNISH AND INSTALL GATE VALVE OR BALL VALVE IN BUILDING FOR EMERGENCY WATER SERVICE SHUT OFF USE.

**4 | WATER METER PIT DETAIL**  
NOT TO SCALE

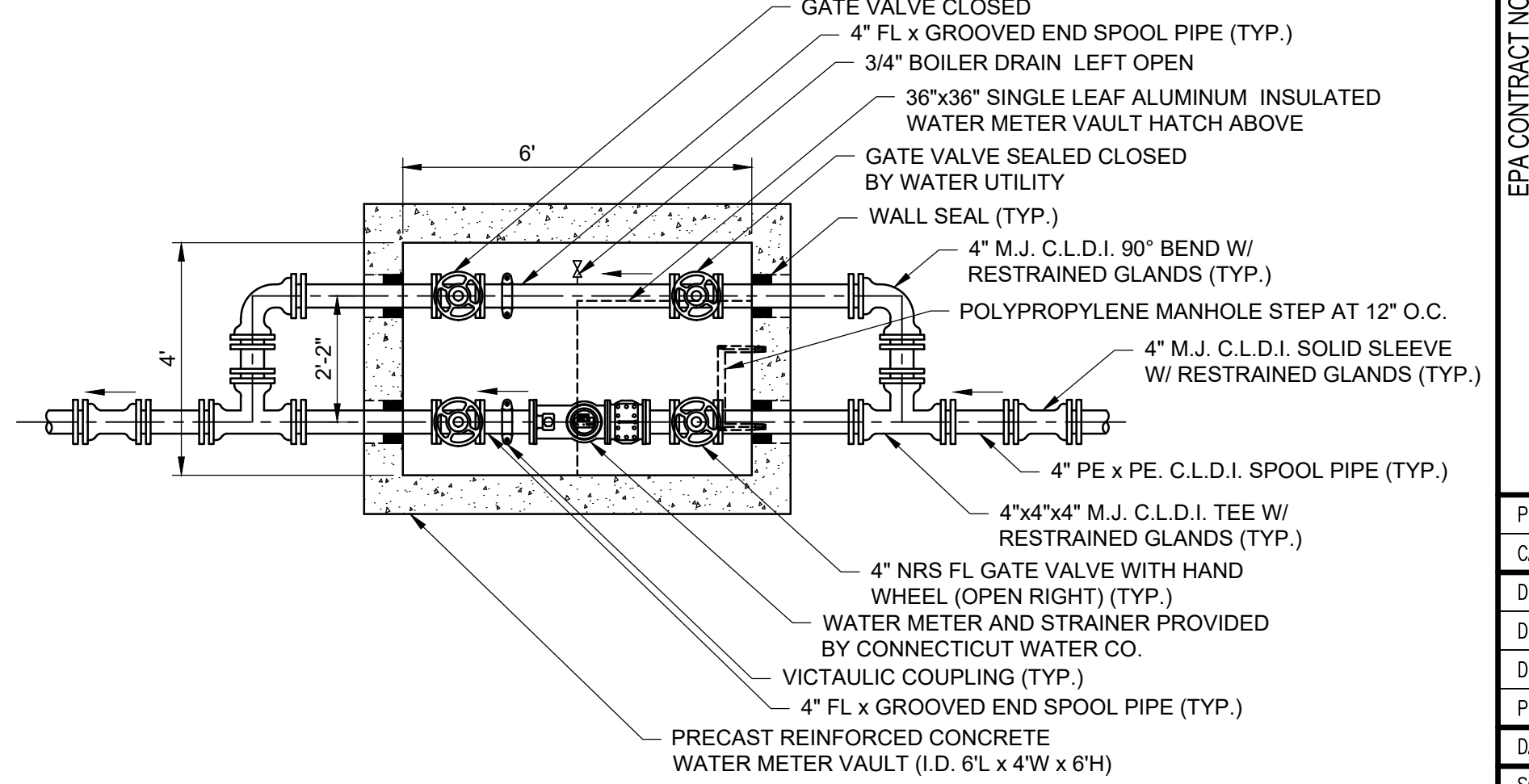


**5 | PROPOSED WATER SERVICE GAS MAIN CROSSING DETAIL**  
NOT TO SCALE



- NOTES:**
1. PLUMBING WORK SHALL BE PERFORMED IN ACCORDANCE WITH THE CONNECTICUT STATE BUILDING CODE IN EFFECT AT THE TIME WORK IS PERFORMED BY A PLUMBER LICENSED IN THE STATE OF CONNECTICUT.
  2. BACKFLOW PREVENTER TO BE REMOVED SEASONALLY DURING FREEZING TEMPERATURES AND WATER SERVICE LINES PURGED.

**6 | TYPICAL EXTERIOR BACKFLOW PREVENTER DETAIL**  
NOT TO SCALE



**7 | 4" DIA. WATER SERVICE METER VAULT DETAIL**  
NOT TO SCALE

100% SUBMITTAL		ADJUST CURB STOP LOCATIONS		DESCRIPTION	
REV 1	MAY 2020	RB	MADE BY	CHECKED	DATE
AECOM, INC. 1000 WASHINGTON STREET ROCKY HILL, CT 06067 PHONE (860) 263-5800		<p><b>AECOM</b></p> <p>EPA CONTRACT NO. EP-S1-06-01 DURHAM MEADOWS WATERLINE RD DURHAM AND MIDDLETOWN, CONNECTICUT TASK ORDER NO. 0060-RD-RD-0105</p> <p><b>WATER SERVICE DETAILS</b> CIVIL</p>			
PROJECT NO: 60275749 CAD DWG FILE: CZDUR503 DESIGNED BY: MCC DRAWN BY: MCC DEPT CHECK: GRS PROJ CHECK: MWM DATE: APRIL 2018 SCALE: AS NOTED					
<b>C-503</b>					