

SOLICITATION/CONTRACT/ORDER FOR COMMERCIAL ITEMS

1. REQUISITION NUMBER

PAGE 1 OF 59

OFFEROR TO COMPLETE BLOCKS 12, 17, 23, 24, AND 30

2. CONTRACT NO.	3. AWARD/EFFECTIVE DATE	4. ORDER NUMBER	5. SOLICITATION NUMBER W912WJ18Q0025	6. SOLICITATION ISSUE DATE 31-Jan-2018
-----------------	-------------------------	-----------------	---	---

7. FOR SOLICITATION INFORMATION CALL:	a. NAME PAIGE C KIMBROUGH-ROWAN	b. TELEPHONE NUMBER (No Collect Calls) 978-318-8269	8. OFFER DUE DATE/LOCAL TIME 12:00 PM 12 Feb 2018
---------------------------------------	------------------------------------	--	--

9. ISSUED BY U S ARMY ENGR DISTRICT, NEW ENGLAND 696 VIRGINIA RD CONCORD MA 01742-2751 TEL: FAX: 978-318-8207	CODE W912WJ	10. THIS ACQUISITION IS <input checked="" type="checkbox"/> SMALL BUSINESS <input type="checkbox"/> HUBZONE SMALL BUSINESS <input type="checkbox"/> SERVICE-DISABLED VETERAN-OWNED SMALL BUSINESS	<input type="checkbox"/> UNRESTRICTED OR <input checked="" type="checkbox"/> SET ASIDE: 100 % FOR: <input type="checkbox"/> WOMEN-OWNED SMALL BUSINESS (WOSB) ELIGIBLE UNDER THE WOMEN-OWNED SMALL BUSINESS PROGRAM <input type="checkbox"/> EDWOSB <input type="checkbox"/> 8(A)	NAICS: 541910 SIZE STANDARD: \$15,000,000
--	----------------	--	--	--

11. DELIVERY FOR FOB DESTINATION UNLESS BLOCK IS MARKED <input type="checkbox"/> SEE SCHEDULE	12. DISCOUNT TERMS	<input type="checkbox"/> 13a. THIS CONTRACT IS A RATED ORDER UNDER DPAS (15 CFR 700)	13b. RATING	14. METHOD OF SOLICITATION <input checked="" type="checkbox"/> RFQ <input type="checkbox"/> IFB <input type="checkbox"/> RFP
--	--------------------	--	-------------	---

15. DELIVER TO SEE SCHEDULE	CODE	16. ADMINISTERED BY SEE SCHEDULE	CODE
---	------	--	------

17a. CONTRACTOR/OFFEROR TELEPHONE NO.	CODE	FACILITY CODE	18a. PAYMENT WILL BE MADE BY SEE SCHEDULE	CODE
--	------	---------------	---	------

<input type="checkbox"/> 17b. CHECK IF REMITTANCE IS DIFFERENT AND PUT SUCH ADDRESS IN OFFER	<input type="checkbox"/> 18b. SUBMIT INVOICES TO ADDRESS SHOWN IN BLOCK 18a. UNLESS BLOCK BELOW IS CHECKED <input type="checkbox"/> SEE ADDENDUM
--	--

19. ITEM NO.	20. SCHEDULE OF SUPPLIES/ SERVICES	21. QUANTITY	22. UNIT	23. UNIT PRICE	24. AMOUNT
SEE SCHEDULE					

25. ACCOUNTING AND APPROPRIATION DATA	26. TOTAL AWARD AMOUNT (For Govt. Use Only)
---------------------------------------	---

<input type="checkbox"/> 27a. SOLICITATION INCORPORATES BY REFERENCE FAR 52.212-1. 52.212-4. FAR 52.212-3. 52.212-5 ARE ATTACHED. ADDENDA <input type="checkbox"/> ARE <input type="checkbox"/> ARE NOT ATTACHED	<input type="checkbox"/> 27b. CONTRACT/PURCHASE ORDER INCORPORATES BY REFERENCE FAR 52.212-4. FAR 52.212-5 IS ATTACHED. ADDENDA <input type="checkbox"/> ARE <input type="checkbox"/> ARE NOT ATTACHED
--	--

<input checked="" type="checkbox"/> 28. CONTRACTOR IS REQUIRED TO SIGN THIS DOCUMENT AND RETURN 1 COPIES TO ISSUING OFFICE. CONTRACTOR AGREES TO FURNISH AND DELIVER ALL ITEMS SET FORTH OR OTHERWISE IDENTIFIED ABOVE AND ON ANY ADDITIONAL SHEETS SUBJECT TO THE TERMS AND CONDITIONS SPECIFIED.	<input type="checkbox"/> 29. AWARD OF CONTRACT: REF. OFFER DATED . YOUR OFFER ON SOLICITATION (BLOCK 5), INCLUDING ANY ADDITIONS OR CHANGES WHICH ARE SET FORTH HEREIN, IS ACCEPTED AS TO ITEMS:
--	--

30a. SIGNATURE OF OFFEROR/CONTRACTOR	31a. UNITED STATES OF AMERICA (SIGNATURE OF CONTRACTING OFFICER)
--------------------------------------	--

30b. NAME AND TITLE OF SIGNER (TYPE OR PRINT)	30c. DATE SIGNED	31b. NAME OF CONTRACTING OFFICER (TYPE OR PRINT) TEL: EMAIL:	31c. DATE SIGNED
--	------------------	---	------------------

**SOLICITATION/CONTRACT/ORDER FOR COMMERCIAL ITEMS
(CONTINUED)**

19. ITEM NO.	20. SCHEDULE OF SUPPLIES/ SERVICES	21. QUANTITY	22. UNIT	23. UNIT PRICE	24. AMOUNT
<p>SEE SCHEDULE</p>					

32a. QUANTITY IN COLUMN 21 HAS BEEN
 RECEIVED INSPECTED ACCEPTED, AND CONFORMS TO THE CONTRACT, EXCEPT AS NOTED: _____

32b. SIGNATURE OF AUTHORIZED GOVERNMENT REPRESENTATIVE	32c. DATE	32d. PRINTED NAME AND TITLE OF AUTHORIZED GOVERNMENT REPRESENTATIVE
--	-----------	---

32e. MAILING ADDRESS OF AUTHORIZED GOVERNMENT REPRESENTATIVE	32f. TELEPHONE NUMBER OF AUTHORIZED GOVERNMENT REPRESENTATIVE
	32g. E-MAIL OF AUTHORIZED GOVERNMENT REPRESENTATIVE

33. SHIP NUMBER <input type="checkbox"/> PARTIAL <input type="checkbox"/> FINAL	34. VOUCHER NUMBER	35. AMOUNT VERIFIED CORRECT FOR	36. PAYMENT <input type="checkbox"/> COMPLETE <input type="checkbox"/> PARTIAL <input type="checkbox"/> FINAL	37. CHECK NUMBER
--	--------------------	---------------------------------	--	------------------

38. S/R ACCOUNT NUMBER	39. S/R VOUCHER NUMBER	40. PAID BY
------------------------	------------------------	-------------

41a. I CERTIFY THIS ACCOUNT IS CORRECT AND PROPER FOR PAYMENT	42a. RECEIVED BY (<i>Print</i>)		
41b. SIGNATURE AND TITLE OF CERTIFYING OFFICER	41c. DATE	42b. RECEIVED AT (<i>Location</i>)	
		42c. DATE REC'D (<i>YY/MM/DD</i>)	42d. TOTAL CONTAINERS

Section SF 1449 - CONTINUATION SHEET

ITEM NO	SUPPLIES/SERVICES	QUANTITY	UNIT	UNIT PRICE	AMOUNT
0001		1	Job		

TASK 1 - BACKGROUND RESEARCH
FFP

Contractor shall furnish all labor, equipment, tools and materials necessary to perform BACKGROUND RESEARCH (TASK 1); in accordance with the attached Performance Work Statement.

Period of Performance:

ONE-HUNDRED TWENTY (120) DAYS AFTER AWARD

SCA Wage Determination 15-4191 (Rev.-4) issued by the Department of Labor on 01/02/18 may be applicable to the services performed during the term of the resulting contract.

****CONTRACTOR MUST SUBMIT DETAILED PRICING DATA IN SUPPORT OF THEIR OFFER. Detailed pricing may include, labor hours, materials, indirect and other direct costs.****

NOTE: The requirements in DFARS 252.211-7003, Item Identification and Valuation, are applicable for this line item. The contractor shall provide DoD unique identification or a DoD recognized unique identification equivalent.
FOB: Destination

NET AMT

ITEM NO	SUPPLIES/SERVICES	QUANTITY	UNIT	UNIT PRICE	AMOUNT
0002		1	Job		

TASK 2 - ANALYSIS & PLAQUE PREPARATION
FFP

Contractor shall furnish all labor, equipment, tools and materials necessary to perform ANALYSIS AND PLAQUE PREPARATION (TASK 2); in accordance with the attached Performance Work Statement.

Period of Performance:

ONE-HUNDRED TWENTY (120) DAYS AFTER AWARD

SCA Wage Determination 15-4191 (Rev.-4) issued by the Department of Labor on 01/02/18 may be applicable to the services performed during the term of the resulting contract.

****CONTRACTOR MUST SUBMIT DETAILED PRICING DATA IN SUPPORT OF THEIR OFFER. Detailed pricing may include, labor hours, materials, indirect and other direct costs.****

NOTE: The requirements in DFARS 252.211-7003, Item Identification and Valuation, are applicable for this line item. The contractor shall provide DoD unique identification or a DoD recognized unique identification equivalent.
FOB: Destination

NET AMT

ITEM NO	SUPPLIES/SERVICES	QUANTITY	UNIT	UNIT PRICE	AMOUNT
0003	CONTRACTOR MANPOWER REPORTING FFP Time for fulfilling the CMR requirement if included or if not included in your overhead for initial CMR database set up and for annual CMR reporting. The contractor will report ALL contractor manpower (including subcontractor manpower) required for performance of this contract to include all task orders and modifications IAW the Office of the Assistant Secretary of the Army (Manpower & Reserve Affairs). Refer to clause 52.204-9002 for additional information. NOTE: The requirements in DFARS 252.211-7003, Item Identification and Valuation, are applicable for this line item. The contractor shall provide DoD unique identification or a DoD recognized unique identification equivalent. FOB: Destination	1	Job		

NET AMT

NOTICE TO OFFERORS

PLEASE DIRECT QUESTIONS TO PAIGE KIMBROUGH at 978-318-2869 OR Paige.C.Kimbrough-Rowan@usace.army.mil. THE SOLICITATION AND RESULTING CONTRACT SHALL BE THE GOVERNING DOCUMENT IN ALL CASES.

QUOTES CAN BE FAXED OR E-MAILED TO PAIGE KIMBROUGH AT (978) 318-8207 or Paige.C.Kimbrough-Rowan@usace.army.mil. E-MAIL IS THE PREFERRED METHOD OF SUBMISSION.

QUOTATION INSTRUCTIONS:

1. If subcontractor(s) will be used for this work, please provide company name and credentials/qualifications: _____
2. **Contractors must be REGISTERED and ACTIVE in the System for Awards Management (SAM) database (www.SAM.gov) to be eligible for award.** Please note that Google and Google Chrome are not supported browsers for SAM registration. Mozilla FireFox, Safari, and Internet Explorer are supported browsers.

NOTE: SAM.gov registration takes approximately 3 weeks (DUNS registration 1-2 business days; CAGE code validation up to 10 business days; IRS validation and overall submission 7-10 business days). It is the contractor's responsibility to track SAM.gov registration and follow-up with required tasks. SAM.gov registration does not have to be "active" to be able to submit a quote. However, contractors must have an active record before a contract award can be made. If SAM.gov registration is not completed in a timely fashion in accordance with the SAM.gov timelines, the Government reserves the right to disqualify the quote in accordance with FAR 52.204-7(d).

3. Provide DUNS number: _____
(telephone 866-705-5711 for DUNS)
4. Provide CAGE code: _____

5. Provide TAX ID: _____
6. Per FAR Clause 52.212-3 Alt I, the Contractor is required to complete the On-line Representations and Certifications Application (www.SAM.gov) and paragraph (b) if applicable, **OR** to complete paragraphs (c) thru (m) of this clause and return with quote.

PERFORMANCE WORK STATEMENT

**Interpretative Plaque at Nike PH-58
Missile Site
Swedesboro/Woolwich Township, New Jersey
Performance Work Statement
February 2018**

(Offers should be valid for a least 60 days from the time of submission.)

Project Description:

The work to be accomplished under this contract consists of preparation of a plaque/display constructed to interpret the Nike PH-58 missile site and to discuss the overall Nike program. The plaque/display will use the cantilevered “NPS style” design for wayside signs (see the following websites for design information:

<https://www.nps.gov/hfc/products/waysides/way-product-bases-low.cfm>,
https://www.nps.gov/hfc/products/waysides/specifying_hardware.pdf).

The content of the plaque should contain an abbreviated history of the Nike missile program, how it worked, when it operated and what elements of the Nike missile system were present in Swedesboro/Woolwich Township. The plaque should also describe how PH-58 was integrated into the Philadelphia Defense Area. Any information on the Army units stationed at the site should be included as well.

Photographs from the active period of PH-58 are strongly encouraged. If site-specific photos cannot be found in various repositories generic Nike photos that are applicable should be used. An aerial photograph of PH-58 illustrating the relationship between the control and launcher sites, if available, should be included.

The final plaque/display will measure 42 inches by 24 inches employing the “NPS style” design, a low profile cantilever exhibit suitable for outdoor installation and be constructed out of metal and/or composite materials. The integral base for the plaque/display consistent with the “NPS style” design will be provided as well. The face of the exhibit shall be made as resistant to UV degradation as possible, and be resistant to scratches and abrasions. The frame and construction shall be free of defects and suitable and ready for in-ground installation.

All research and analysis shall be completed by key personnel meeting the minimum qualifications listed in the attached Definitive Responsibility Criteria For Offer Evaluation.

Task 1. Background Research:

Background research should take place at local, state and federal repositories. The Federal Archives may contain historic plans and photographs on Nike-PH-58 or generic Nike sites. The Swedesboro Historical Society may also have some information on the units stationed at the site. Attached are slides (Attachment 1) that can be used as a baseline for the historic context.

Task 2. Analysis and Plaque Preparation:

Analyze gathered information and prepare three (3) paper copies of the plaque and submit to the Technical PoC Kate Atwood, Evaluation Branch, Planning Division U.S. Army Corps of Engineers, New England District, 696 Virginia Road, Concord, Massachusetts 01742. The paper copy report will contain all items to be included on the final plaque.

Project Timeline:

The timeline below indicates the contractor's project schedule:

- – Day 0 – Date of Contract Award / Notice to Proceed
- – Collect Nike site data and information from various sources and repositories.
- – Day 40 – Submit completed three (3) draft paper copies of the plaque's content to USACE.
- – Day 50 – Receive comments from USACE and Woolwich Township.
- – Day 70 – Submit three (3) "life-sized" draft paper copies of plaque content and layout to USACE.
- – Day 80 – Receive comments from the USACE and Woolwich Township on draft plaque.
- – Day 115 – Deliver final plaque/display to Kate Atwood of the USACE in Concord, MA for inspection.
- – Day 117 – Arrange for pickup of final plaque/display from the USACE in Concord, MA and shipment to Woolwich Township, NJ.
- – Day 120 – Final plaque/display is delivered to Woolwich Township, NJ.

Deliverables:

- Submit monthly progress reports (reports sent via email acceptable) including successes and difficulties of ongoing efforts to Kate Atwood at USACE at Kathleen.A.Atwood@usace.army.mil
- Submit three (3) draft paper copies for review by the USACE as well as a PDF file.
- Submit three (3) full size final draft paper copies for review by the USACE.
- Final plaque/display to the Woolwich Township, NJ along with a PDF file to USACE.

Invoicing:

Invoices may be submitted monthly. Final scheduling will be agreed upon at project initiation.

Proposal should include:

- Itemized costs for each task of the project

Sustainability Requirements:

Contractor shall provide plaque which meets or exceeds EPA's recycled content recommendations. These can be found at <https://www.epa.gov/smm/comprehensive-procurement-guidelines-miscellaneous-products#01>.

Contractor Manpower Reporting:

The Office of the Assistant Secretary of the Army (Manpower & Reserve Affairs) operates and maintains a secure Army data collection site where the contractor will report ALL contractor manpower (including subcontractor manpower) required for performance of this contract. The contractor is required to completely fill in all the information in the format using the following web address <https://cmra.army.mil>. This website address includes links to a helpdesk and a user's manual. As part of its submission, the contractor will also provide the estimated total cost (if any) incurred to comply with this reporting requirement. The reporting period will be from the beginning of the period of performance until 30 September of each government fiscal year, not to exceed 12 months and must be reported by **31 October** of each calendar year. The awarded contract shall include A CLIN for the Base period that shall cover cost if any for the initial CMR database setup and the annual requirement for CMR reporting. There will also be CMR option CLINs included to be exercised annually for each option period awarded. Further information and frequently asked questions are located at the following website: <https://cmra.army.mil/Login.aspx>. The contractor may choose to price or not separately price for this requirement. See Line Items for more CLIN information.

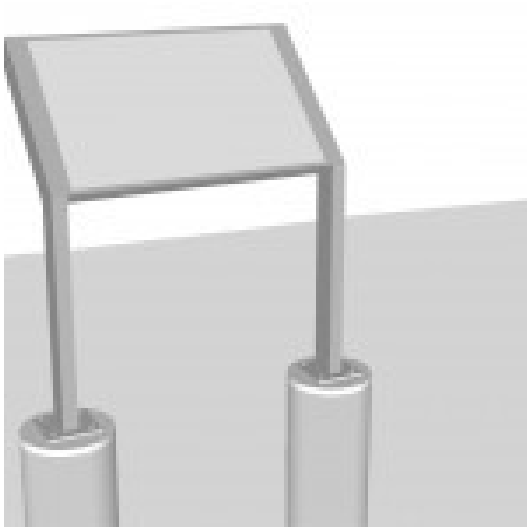
The required information includes:

- (1) Contracting Office, Contracting Officer, Contracting Officer's Technical Representative;
- (2) Contract number, including task and delivery order number;
- (3) Beginning and ending dates covered by reporting period;
- (4) Contractor name, address, phone number, e-mail address, identity of contractor employee entering data;
- (5) Estimated direct labor hours (including sub-contractor);
- (6) Estimated direct labor dollars paid this reporting period (including sub-contractor);
- (7) Total payments (including subcontractor);
- (8) Predominant Federal Service Code (FSC) reflecting services provided by contractor (and separate predominant FSC for each sub-contractor if different);

- (9) Organizational title associated with the Unit Identification Code (UIC) for the Army Requiring Activity (the Army Requiring Activity is responsible for providing the contractor with its UIC for the purposes of reporting this information);
- (10) Locations where contractor and sub-contractors perform the work (specified by zip code in the United States and nearest City, Country, when in an overseas location, using standardized nomenclature provided on website);
- (11) Presence of deployment or contingency contract language, and,
- (12) Number of contractor and sub-contractor employees deployed in theater this reporting period (by country). As part of its submission, the contractor will also provide the estimated total cost (if any) incurred to comply with this reporting requirement. Reporting period will be the period of performance not to exceed 120 days.

**Interpretative Plaque at Nike PH-58
Missile Site
Swedesboro/Woolwich Township, New Jersey
Performance Work Statement
February 2018**

Informational Photo No.1



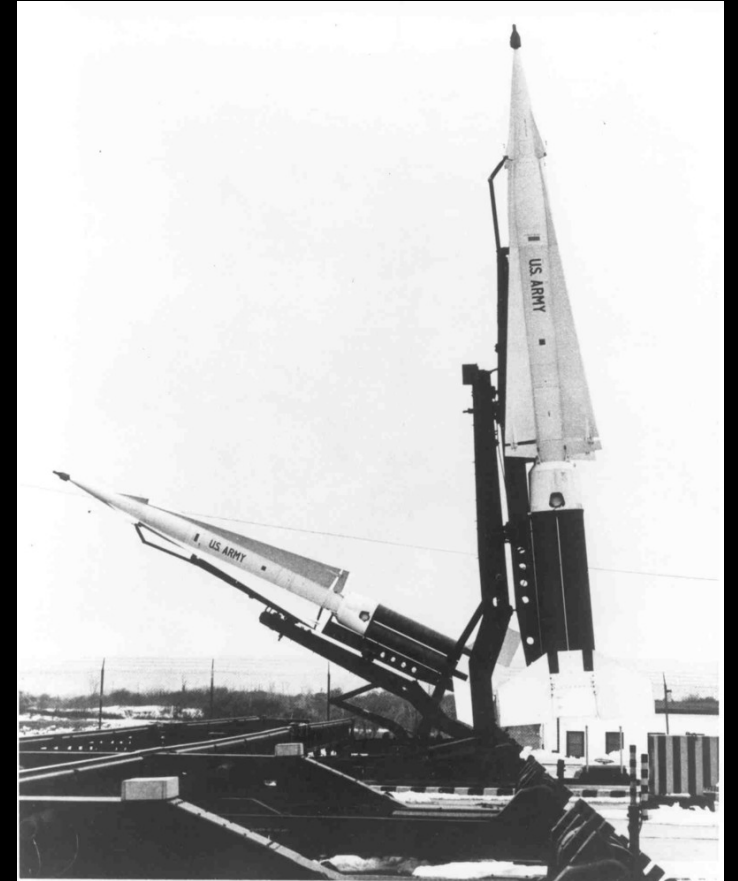
*Above photo used to illustrate “NPS Style” design as stated in the attached Performance Work Statement

ATTACHMENTS

Nike Battery PH-58

Woolwich Township, New Jersey

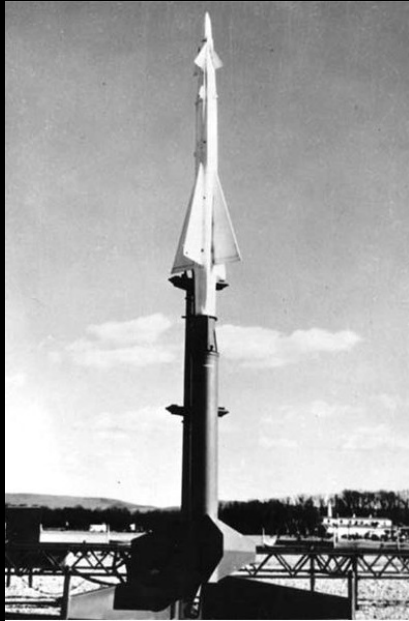
Nike Battery PH-58 was an element of the Army Air Defense Command's Philadelphia area air defense network. It is one of twelve permanent Nike batteries constructed in a ring around Philadelphia. The purpose of the Nike missile system was to counter the threat of an attack on U.S. cities and essential defense plants by manned bombers during the Cold War.



Nike Missile System Development

The Nike missile system was the product of Army contracts with Bell Laboratories, Western Electric, Douglas Aircraft and others. The first Nike was the Nike Ajax, a two-stage missile featuring a solid-fueled booster and a liquid-fueled sustainer motor. The Nike Ajax carried three high-explosive warheads and guidance equipment. The two-stage Nike Hercules missile was a later development

featured a solid-fueled booster and a solid propellant sustainer motor. The Hercules had greater performance and could carry either a high-explosive warhead or a tactical nuclear warhead.



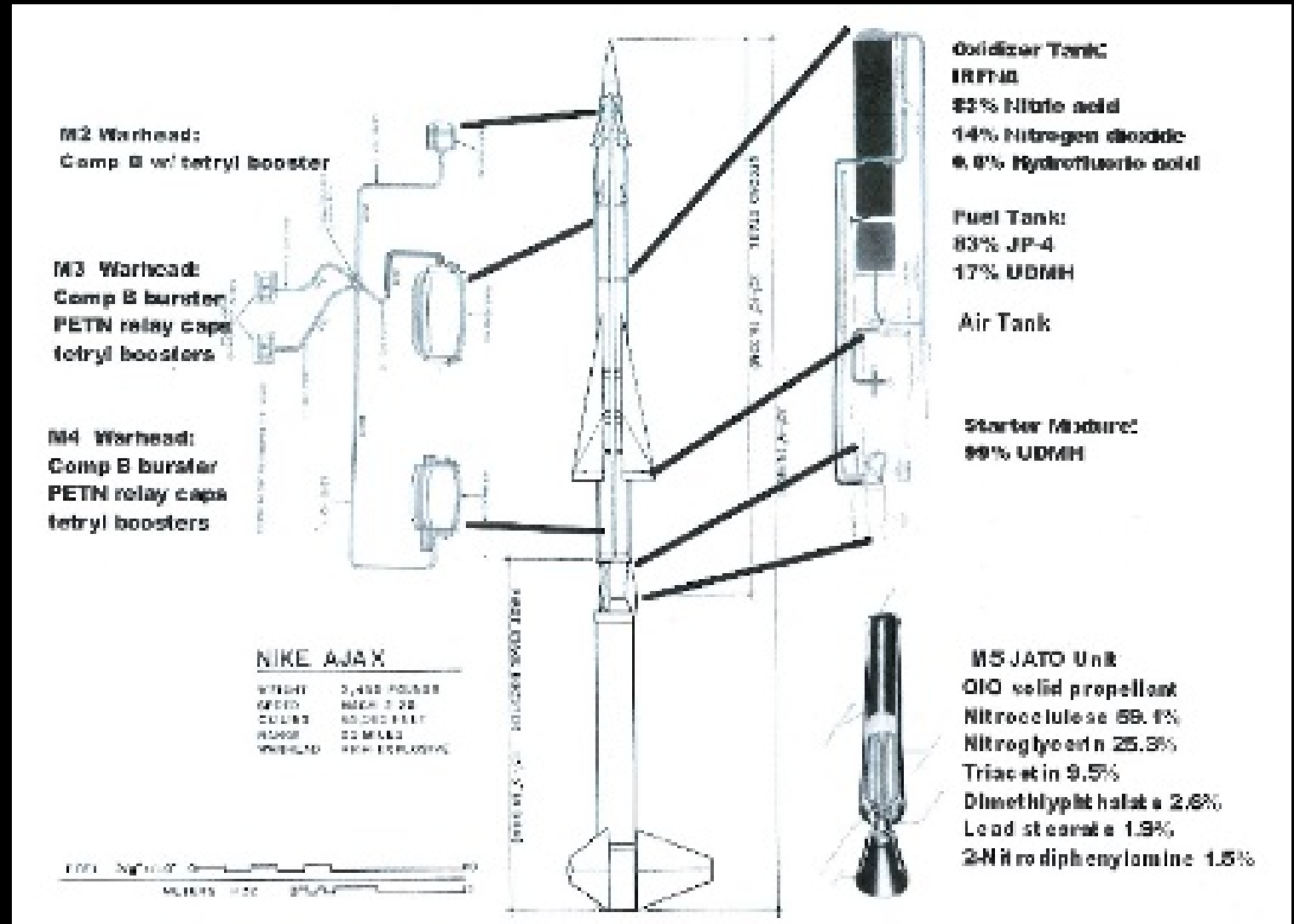
Nike
Ajax



Nike
Hercules

Nike Ajax

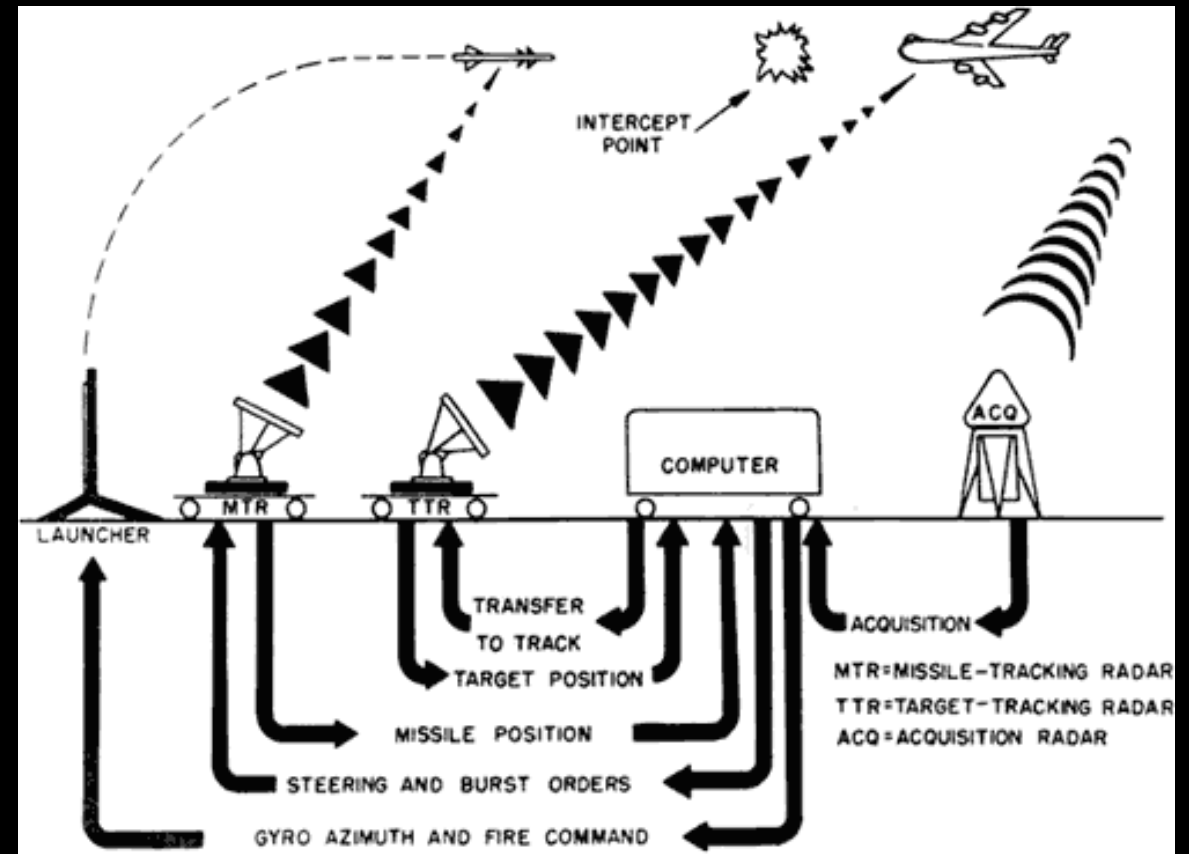
The Nike Ajax guided missile (MIM-3) is shown in this figure along with its rocket motor propellant and warhead details.



Nike Ajax

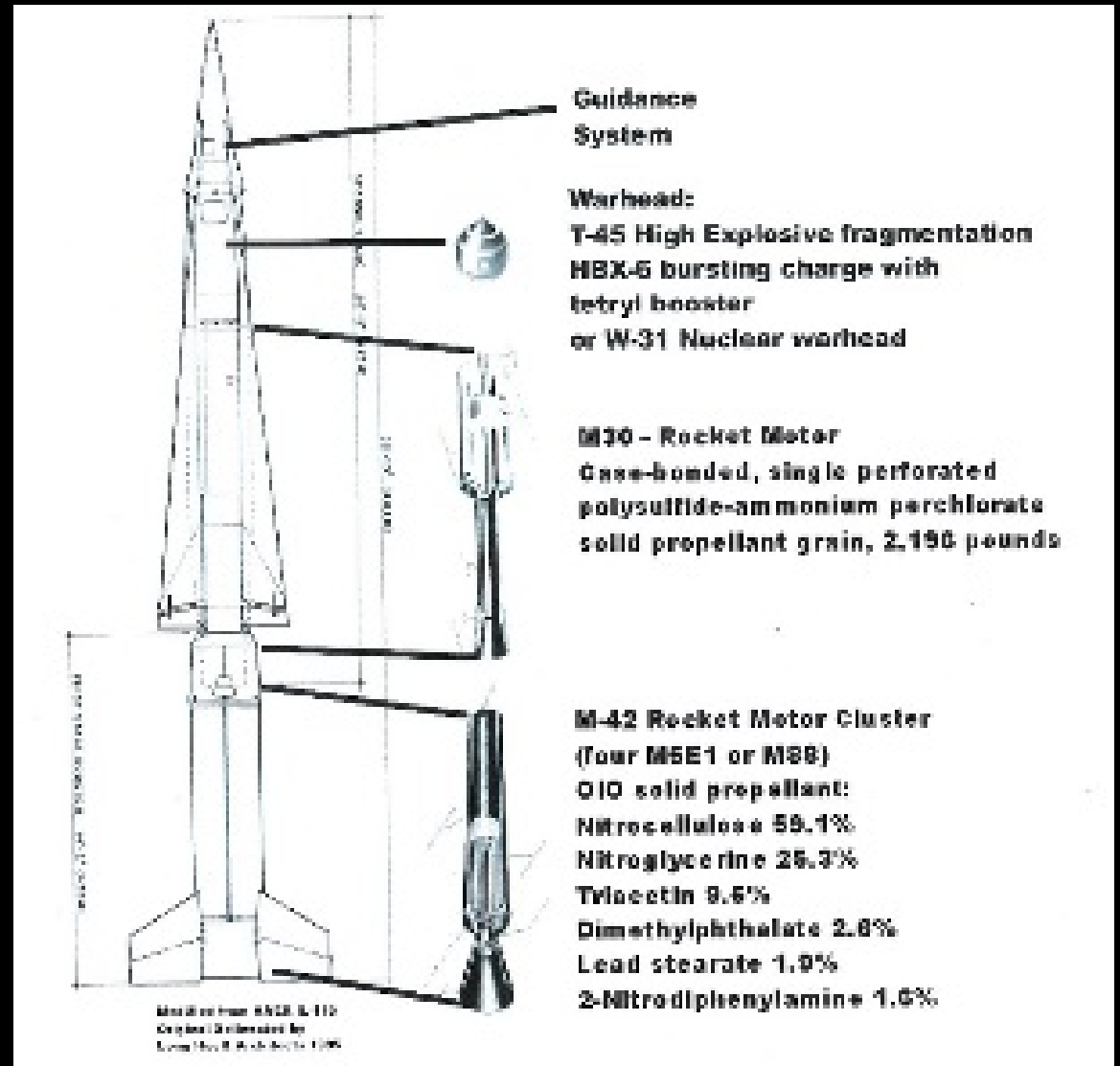
This is a schematic of a Nike Ajax intercept. Three discreet radars functioned to identify a target and guide the missile to it.

Battery PH-58 had Nike Ajax missiles in a ready state from (date) to (date), after which the Nike Hercules missile was deployed.



Nike Hercules

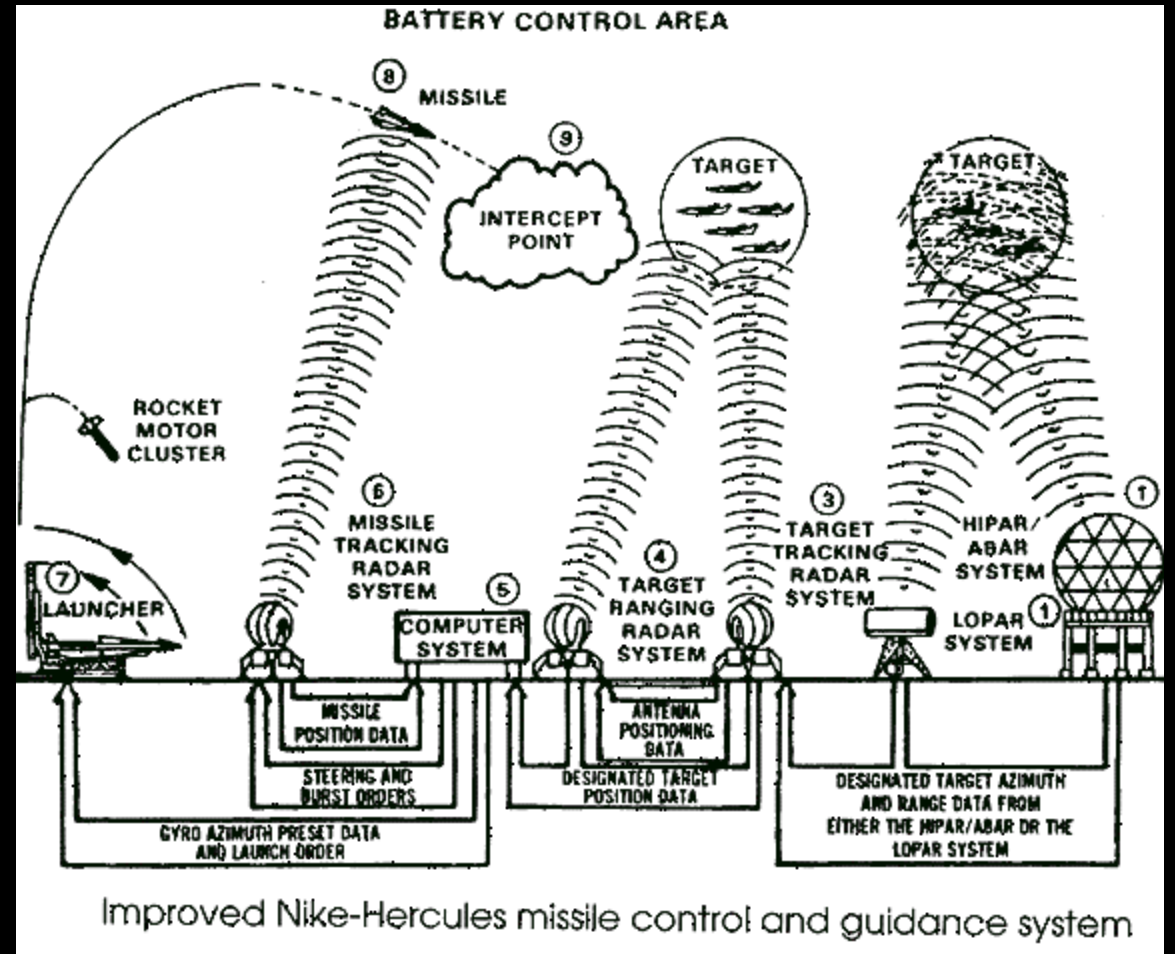
The Nike Hercules guided missile (MIM-14) is shown in this figure along with its rocket motor propellant and warhead details.



Nike Hercules

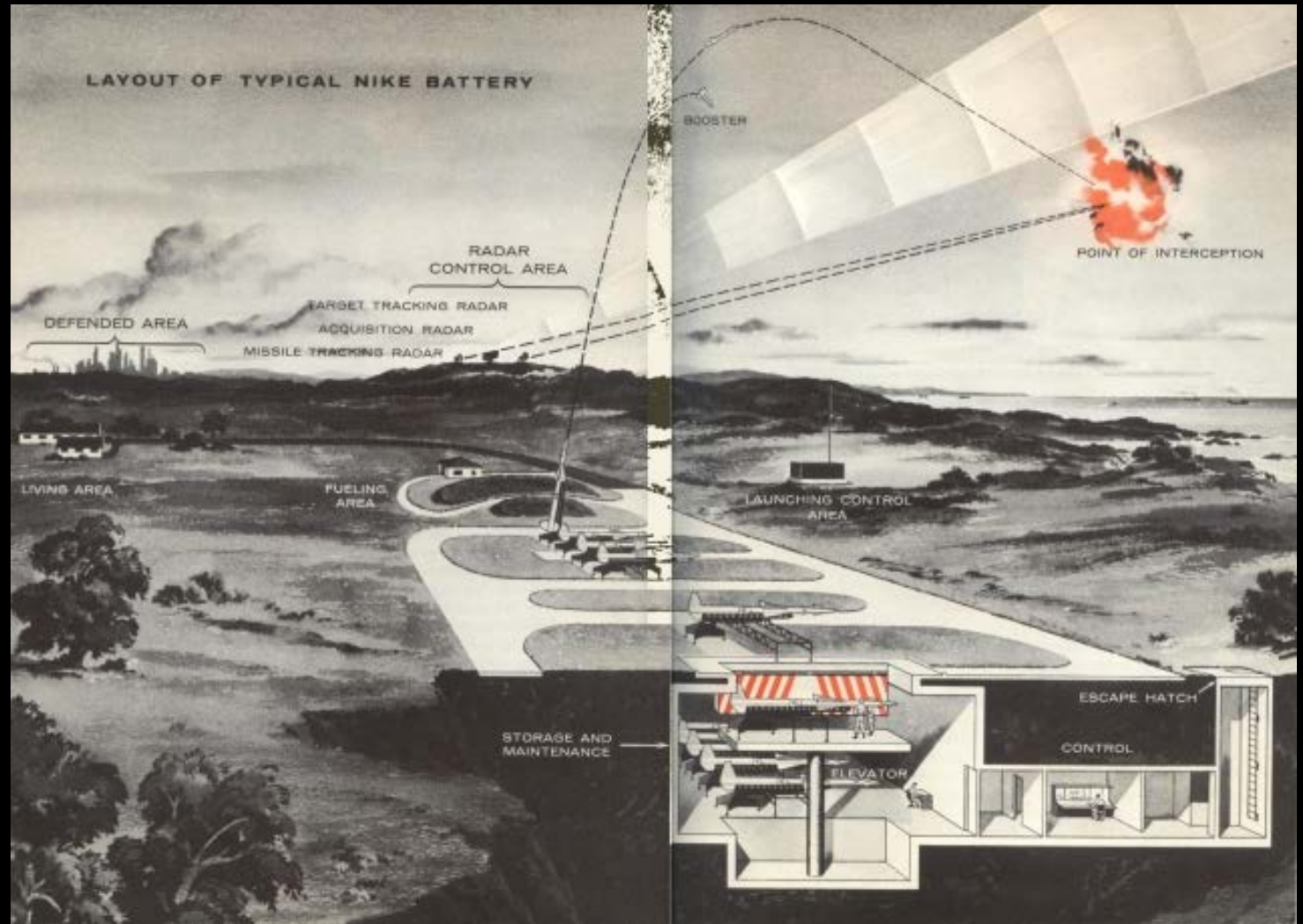
This is a schematic of a Nike Hercules intercept. The Hercules could target enemy aircraft formations as well as individual aircraft.

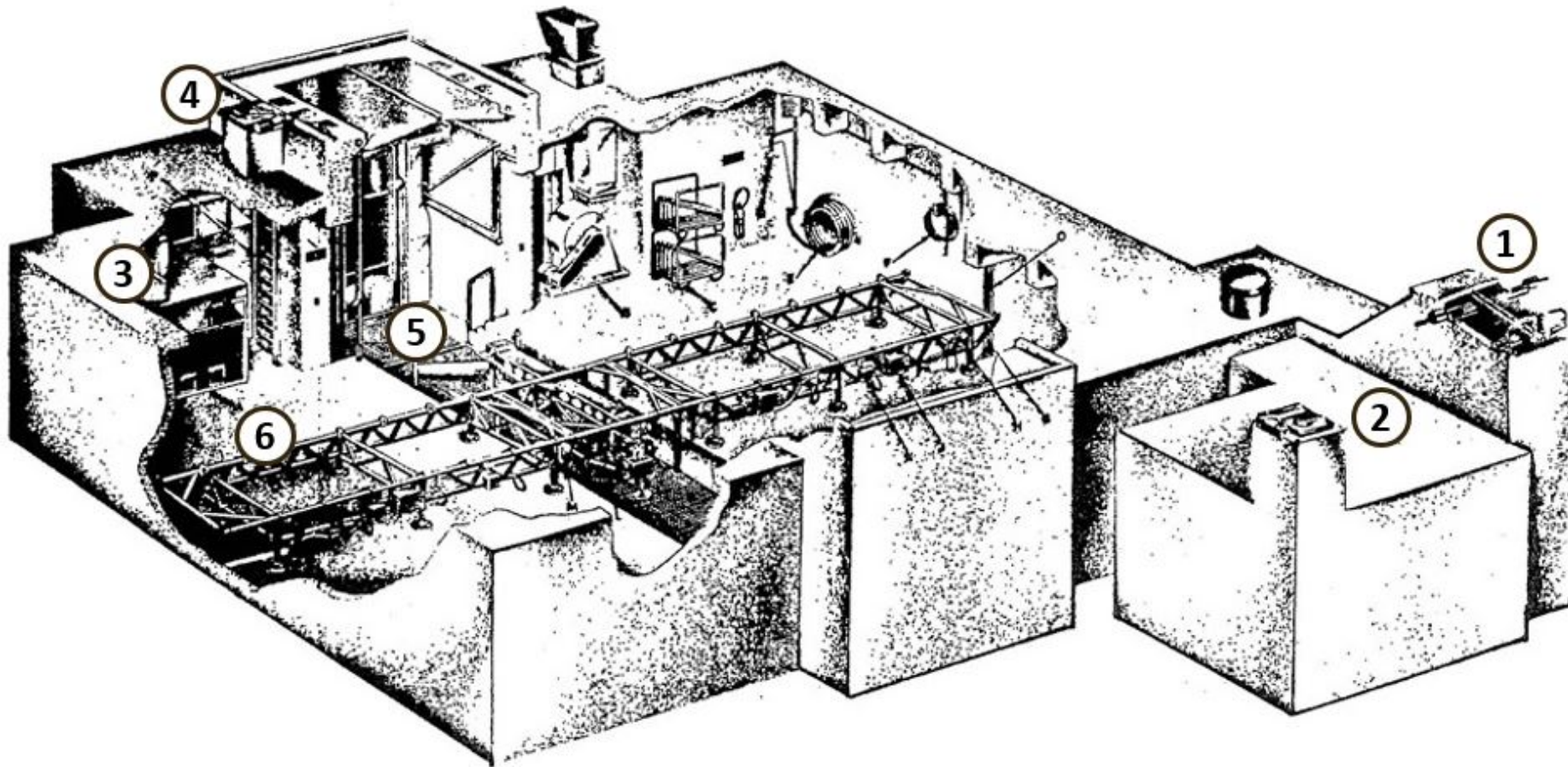
Two magazines at the PH-58 Launch Area were converted to accommodate the Nike Hercules missile. The PH-58 Control Area had the LOPAR, rather than the HIPAR radar system depicted in the figure.



Nike Missile Site Layout

A Nike missile battery consisted of two discrete parcels of land. The Integrated Fire Control Site was home to the target acquisition, target tracking and missile tracking radars. The Launch Site was where the missiles were assembled, stored and, if it became necessary, launched.





- | | |
|------------------------------------|--|
| ① Bulkhead to Stairwell Access | ④ Access Hatch/Ladder to Magazine |
| ② Access Hatch/Ladder to Crew Room | ⑤ Elevator Platform with Ajax M22 Launcher |
| ③ Hydraulic Power Unit | ⑥ Racks for Missiles and Launch Rails |

General Arrangement of a typical Underground Missile Magazine

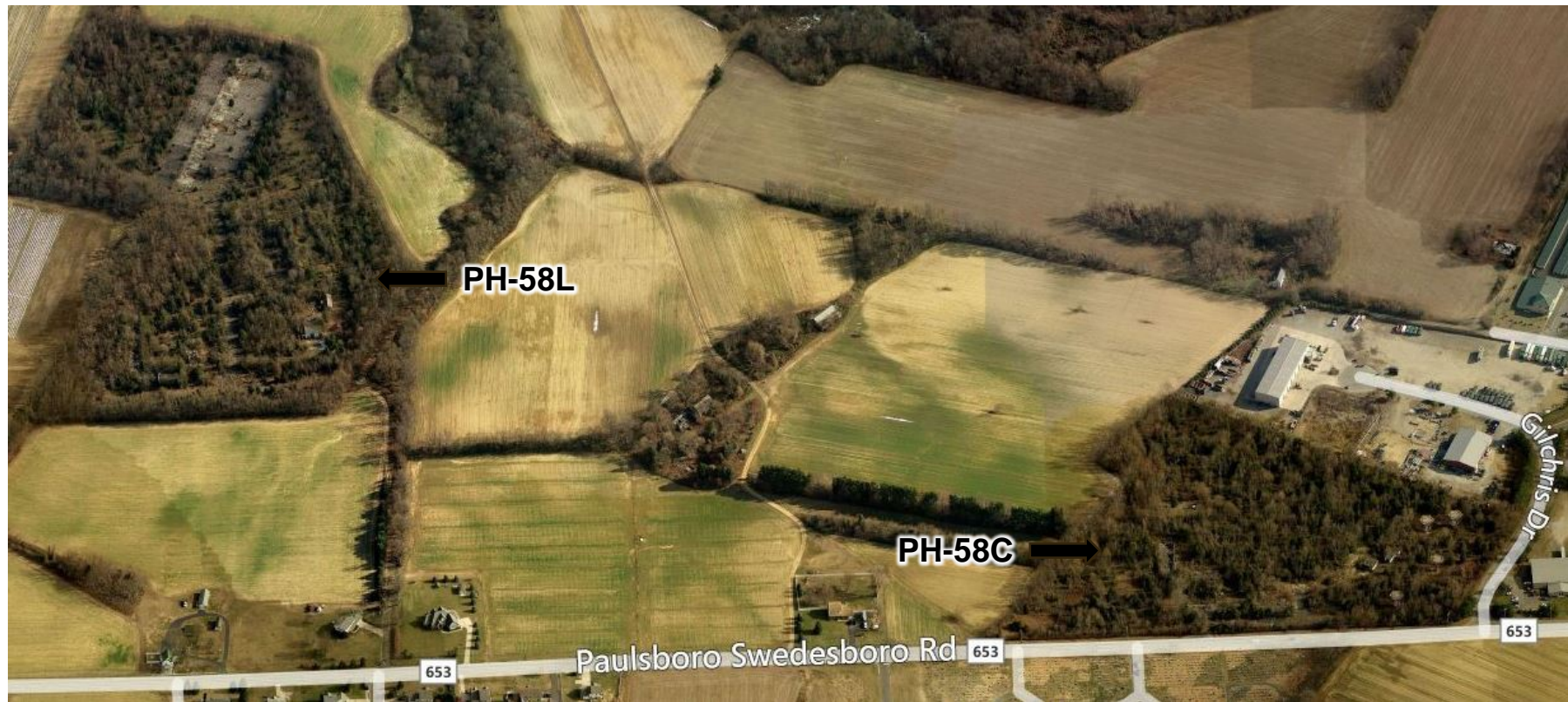
Nike Battery PH-58

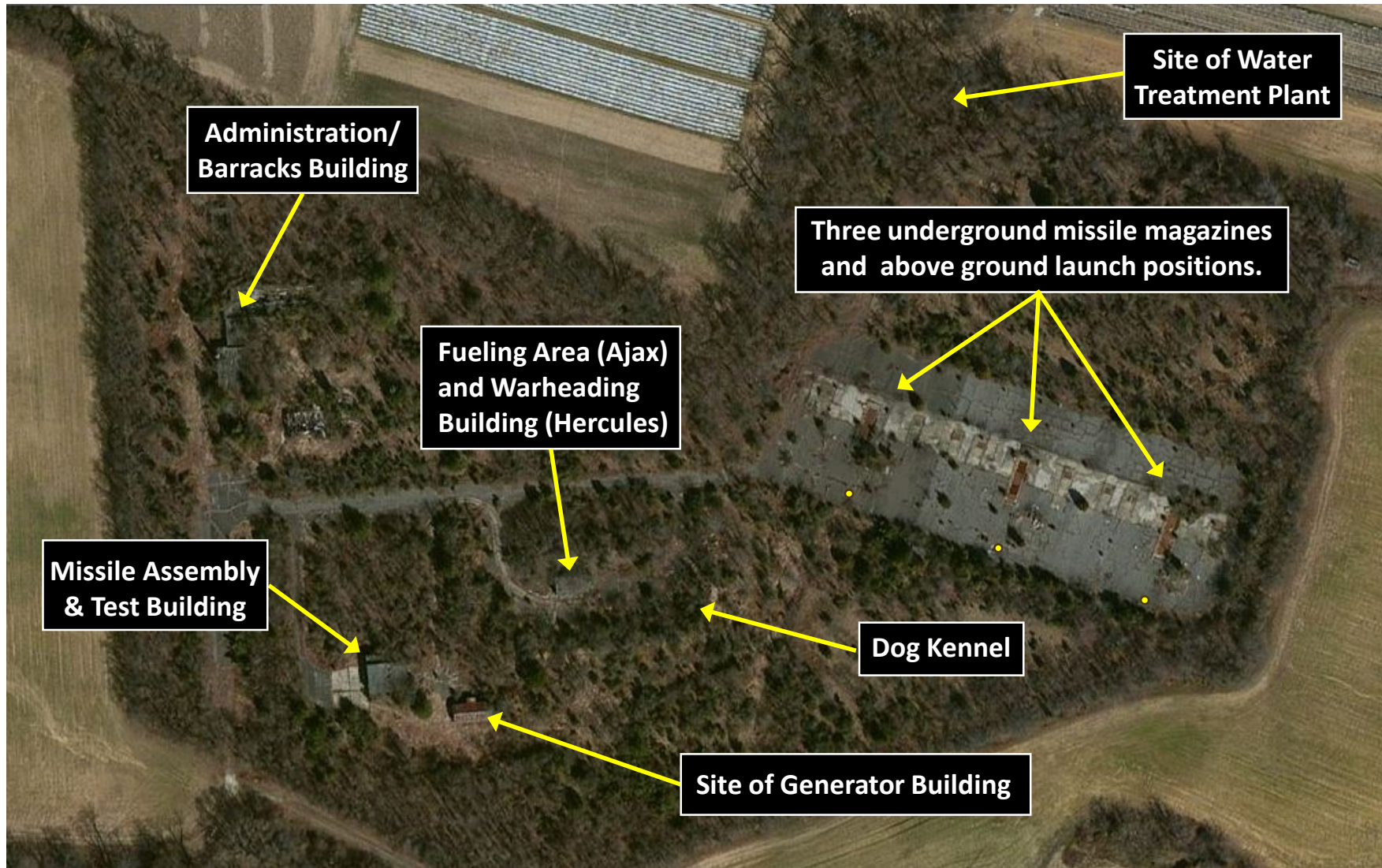
The above ground remains of the three missile storage magazines and associated launch positions for Nike Battery PH-58 exhibit typical features such as the elevator opening, access hatchways and vents, hose racks, baseplates for missile loading racks and blast deflector plates.



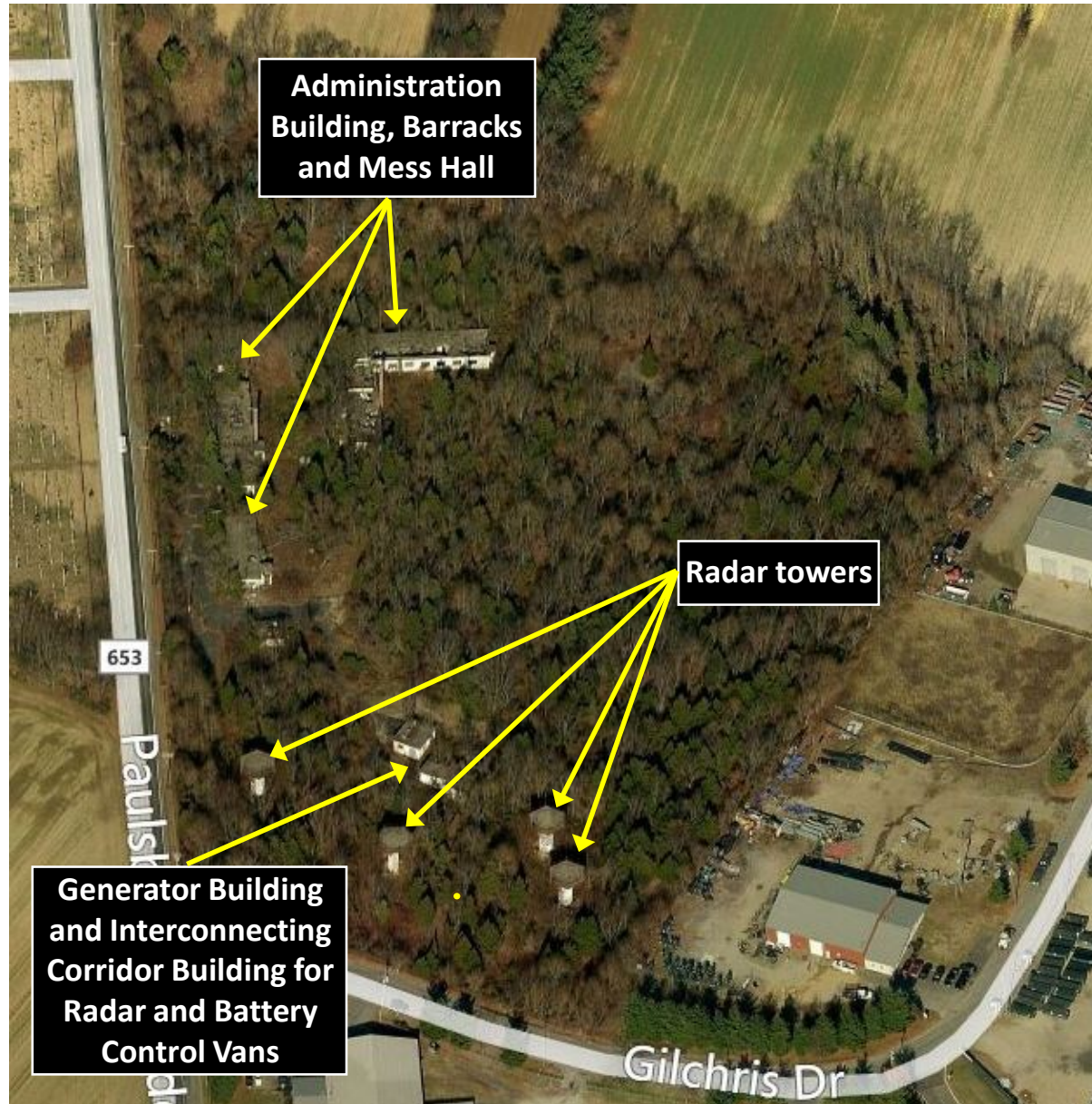
Nike Battery PH-58

Location of Launch and Control Areas

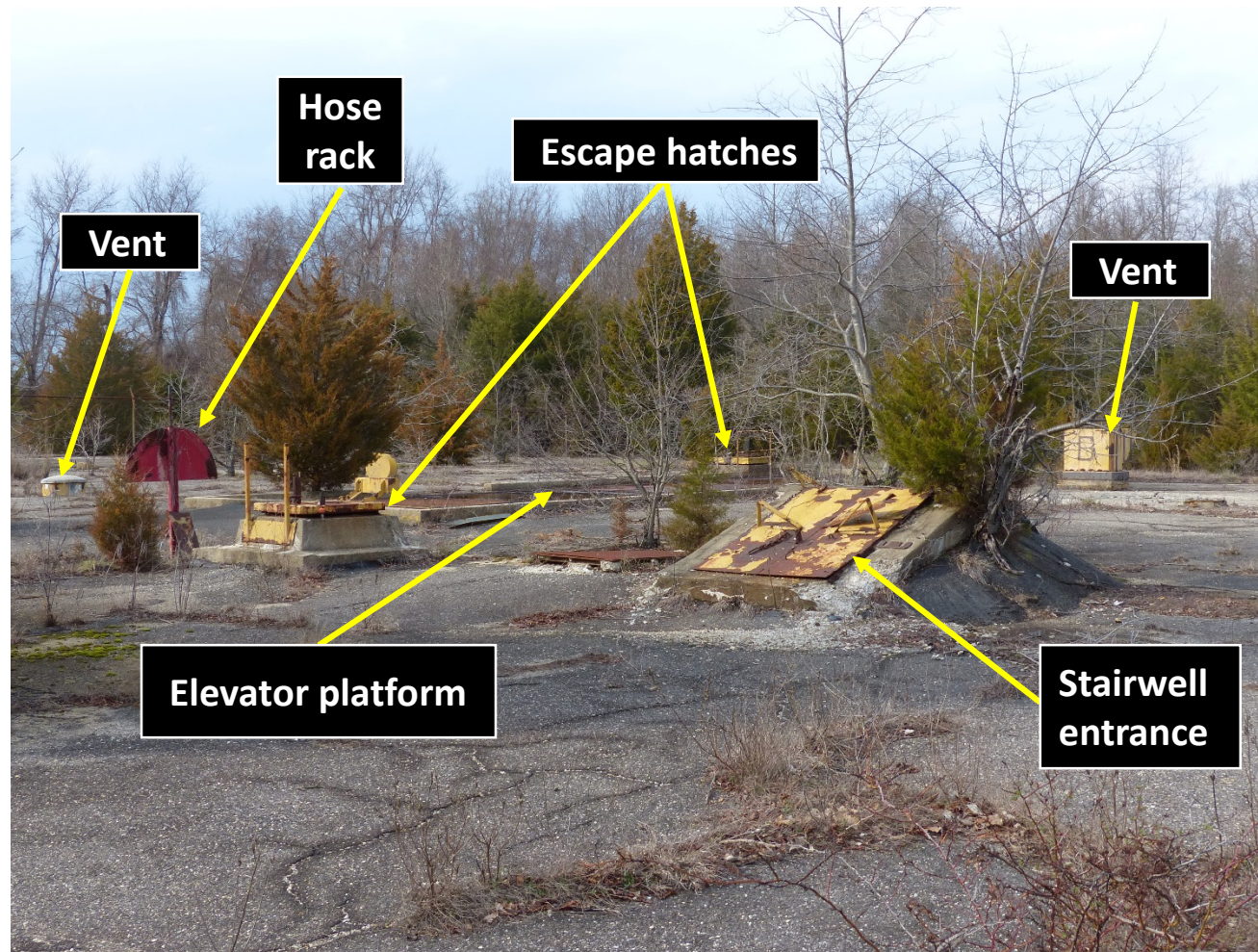




View of PH-58 Launch Area



View of PH-58 Control Area



A view showing typical topside features at one of PH-58's underground missile magazines.

EVALUATION CRITERIA

Definitive Responsibility Criteria:

This solicitation contains a definitive responsibility criteria:

In addition to examining the criteria in FAR 9.104-1, the Contracting Officer will also examine whether the lowest offeror can meet the requirements of the solicitation and found responsible by demonstrating the criteria listed below in table: “Interpretive Plaque for Nike PH-58 Missile Site - Definitive Responsibility Criteria for Offer Evaluation”. This will be considered a definitive responsibility criterion. Offerors are not required to submit additional documentation related to this criterion at the time of offer. The Government will request supporting documentation from the offeror anticipated to receive the award.

Interpretive Plaque for Nike PH-58 Missile Site - Definitive Responsibility Criteria for Offer Evaluation

Definitive Responsibility Criteria	Contract Requirement	Measuring Tool	How to Measure
<p>Research and Analysis Personnel Experience</p>	<p>Offeror’s personnel performing research and analysis shall meet the minimum professional qualifications in History, as follows;</p> <p>a Graduate Degree in History; or</p> <p>a Bachelor’s Degree in History, PLUS the following:</p> <p>At least two (2) years of full-time experience in research, writing, teaching, or interpretation with an academic institution, historic organization or agency, or museum.</p>	<p>Offeror shall supply resumes for personnel performing research and analysis which indicate professional qualifications and/or years of relevant experience.</p>	<p>Resumes will show that personnel performing research and analysis work meet the minimum qualifications set forth in this Definitive Responsibility Criteria.</p>

CONTRACTOR SECURITY REVIEW**CONTRACTOR SECURITY REQUIREMENTS**

The contractor and all associated sub-contractors shall receive a brief/training (provided by the RA) on the local suspicious activity reporting program. This locally developed training will be used to inform employees of the types of behavior to watch for and instruct employees to report suspicious activity to the project manager, security representative or law enforcement entity. This training shall be completed within thirty (30) calendar days of contract award and within thirty (30) calendar days of new employees commencing performance with the results reported to the Technical Point of Contact not later than five (5) calendar days after the completion of the training.

The Contractor must pre-screen Candidates using the E-verify Program (<http://www.uscis.gov/e-verify>) website to meet the established employment eligibility requirements. The Vendor must ensure that the Candidate has two valid forms of Government issued identification prior to enrollment to ensure the correct information is entered into the E-verify system. An initial list of verified/eligible Candidates must be provided to the Technical Point of Contact no later than three (3) business days after the initial award.

DELIVERY INFORMATION

CLIN	DELIVERY DATE	QUANTITY	SHIP TO ADDRESS	DODAAC / CAGE
0001	120 dys. ADC	1	ENVIRONMENTAL PROJECT MGMT BR ENVIRONMENTAL PROJECT MGMT BR 696 VIRGINIA ROAD CONCORD MA 01742-2751 978-318- FOB: Destination	W912WJ
0002	120 dys. ADC	1	(SAME AS PREVIOUS LOCATION) FOB: Destination	W912WJ
0003	31-OCT-2018	1	US ARMY ENGR DISTRICT, NEW ENGLAND 696 VIRGINIA ROAD CONCORD MA 01742-2751 FOB: Destination	DACW33

CLAUSES INCORPORATED BY REFERENCE

52.204-4	Printed or Copied Double-Sided on Postconsumer Fiber Content Paper	MAY 2011
52.204-7	System for Award Management	OCT 2016
52.212-1	Instructions to Offerors--Commercial Items	JAN 2017
52.223-10	Waste Reduction Program	MAY 2011
52.223-17	Affirmative Procurement of EPA-Designated Items in Service and Construction Contracts	MAY 2008
52.227-14	Rights in Data--General	MAY 2014
52.227-16	Additional Data Requirements	JUN 1987
52.232-39	Unenforceability of Unauthorized Obligations	JUN 2013
52.232-40	Providing Accelerated Payments to Small Business Subcontractors	DEC 2013
52.233-3	Protest After Award	AUG 1996
52.233-4	Applicable Law for Breach of Contract Claim	OCT 2004
52.242-15	Stop-Work Order	AUG 1989
52.242-17	Government Delay Of Work	APR 1984
52.246-1	Contractor Inspection Requirements	APR 1984
52.246-4	Inspection Of Services--Fixed Price	AUG 1996
52.247-34	F.O.B. Destination	NOV 1991
52.249-4	Termination For Convenience Of The Government (Services) (Short Form)	APR 1984
52.249-8	Default (Fixed-Price Supply & Service)	APR 1984
252.203-7000	Requirements Relating to Compensation of Former DoD Officials	SEP 2011
252.203-7002	Requirement to Inform Employees of Whistleblower Rights	SEP 2013
252.203-7005	Representation Relating to Compensation of Former DoD Officials	NOV 2011
252.204-7003	Control Of Government Personnel Work Product	APR 1992
252.204-7004 Alt A	System for Award Management Alternate A	FEB 2014
252.204-7012	Safeguarding Covered Defense Information and Cyber Incident Reporting	OCT 2016
252.204-7015	Notice of Authorized Disclosure of Information for Litigation Support	MAY 2016
252.223-7006	Prohibition On Storage, Treatment, and Disposal of Toxic or Hazardous Materials	SEP 2014
252.225-7048	Export-Controlled Items	JUN 2013
252.227-7017	Identification and Assertion of Use, Release, or Disclosure Restrictions	JAN 2011
252.227-7021	Rights In Data--Existing Works	MAR 1979
252.227-7033	Rights in Shop Drawings	APR 1966
252.232-7010	Levies on Contract Payments	DEC 2006
252.243-7001	Pricing Of Contract Modifications	DEC 1991
252.244-7000	Subcontracts for Commercial Items	JUN 2013

CLAUSES INCORPORATED BY FULL TEXT

52.204-9002 REPORTING OF CONTRACTOR MANPOWER DATA ELEMENTS

(a) Scope. The following sets forth contractual requirements for reporting of contractor labor work year equivalents (also called Contractor Man-year Equivalents (CMEs)) in support of the Army, pursuant to 10 U.S.C.

129a, 10 U.S.C. 2461(g), Section 343 of P.L. 106-65, and 32 CFR 668. Reporting shall be accomplished electronically by direct contractor submission to the secure Army Web Site: <https://ecmra.mil>. Information on the background, purposes, and significance of this reporting requirement, and the 32 CFR 668 Final Rule as published in the Federal Register, can be found at this Web Site. In addition, a Help Desk function, detailed instructions on what and how to report, FAQs, and a site demonstration are available. The Army's objective is to collect as much significant CME data as possible to allow accurate reporting to Congress and for effective Army planning. The reporting data elements should not be viewed as an "all or nothing" requirement. Even partial reporting, e.g., direct labor hours, appropriation data, place of performance, Army customer, etc., will be helpful.

(b) **Applicability.** This reporting requirement applies to services covered by Federal Supply Class or Service codes for "Research and Development," and "Other Services and Construction." Report submissions shall not contain classified information. (Also see "Exemptions" at (d) below.)

(c) **Requirements.** The contractor is required to report the following contractor manpower information, associated with performance of this contract action in support of Army requirements, for all covered contracts, to the Office, Assistant Secretary of the Army (Manpower and Reserve Affairs) (ASA(M&RA)), using the secure Army data collection web-site at <https://ecmra.mil>. (Other information requirements associated with the manpower data collection (contract and task or delivery order numbers; appropriation data and amounts; total estimated value of contract; federal supply class or service code; major Army organizational element receiving or reviewing work; beginning and ending data for reporting period; place of performance; name, address, and point of contact for contractor; etc.) are specified and explained at the web site.)

(1) **Labor Hours.** Composite direct labor hours, and the value of those indirect labor hours plus compensation related costs for direct labor hours ordinarily included in the indirect pools¹.

(2) **Rates.** Alternatively, contractors may report two distinct, relevant (annualized) composite or average indirect labor rates in lieu of raw indirect labor hours and the value of those indirect hours. Such rates shall be annualized average estimates for the reporting contractor and need not be developed for each reporting period. Either method chosen should be consistently reported.

(d) **Exemption(s).** If the contractor is unable to comply with these reporting requirements without creating a whole new cost allocation system or system of records (such as a payroll accounting system), or due to similar insurmountable practical or economic reasons, the contractor may claim an exemption to at least a portion of the reporting requirement by certifying in writing to the contracting officer the clear underlying reason(s) for exemption from the specified report data element(s), and further certifying that they do not otherwise have to provide the exempted information, in any form, to the United States Government. The "self-exemption" will apply to all contract actions involving the contractor and will be reviewed and approved by the Deputy Assistant Secretary of the Army (Procurement), in coordination with the Deputy Assistant Secretary of the Army (Force Management and Resources), whose decision is final in this matter.

(e) **Uses and Safeguarding of Information.** The information submitted will be treated as contractor proprietary when associated with a contractor name or contract number.

(f) **Subcontract Data.** The contractor shall ensure that all reportable subcontract data is timely reported to the data collection web site (citing this contract/order number). At the discretion of the prime contractor, this reporting may be done directly by subcontractors to the data collection site; or by the prime contractor after consolidating and rationalizing all significant data from their subcontractors.

(g) **Report schedule.** The contractor is required to report the required information to the ASA(M&RA) data collection web site annually. The reporting period will be from the beginning of the period of performance until 30 September of each government fiscal year, not to exceed 12 months and must be reported by 31 October of each calendar year.

¹ Compensation costs are defined in the reporting instructions at the Army Web Site.

(h) Reporting Flexibility. Contractors are encouraged to communicate with the Help Desk identified at the data collection web site to resolve reporting difficulties. The web site reporting pages include a "Remarks" field to accommodate non-standard data entries if needed to facilitate simplified reporting and to minimize reporting burdens arising out of unique circumstances. Changes to facilitate reporting may be authorized by the contracting officer or the Help Desk (under HQDA policy direction and oversight).

52.212-3 OFFEROR REPRESENTATIONS AND CERTIFICATIONS--COMMERCIAL ITEMS (NOV 2017)

The Offeror shall complete only paragraph (b) of this provision if the Offeror has completed the annual representations and certification electronically via the System for Award Management (SAM) Web site located at <https://www.sam.gov/portal>. If the Offeror has not completed the annual representations and certifications electronically, the Offeror shall complete only paragraphs (c) through (u) of this provision.

(a) Definitions. As used in this provision --

"Economically disadvantaged women-owned small business (EDWOSB) Concern" means a small business concern that is at least 51 percent directly and unconditionally owned by, and the management and daily business operations of which are controlled by, one or more women who are citizens of the United States and who are economically disadvantaged in accordance with 13 CFR part 127. It automatically qualifies as a women-owned small business eligible under the WOSB Program.

"Forced or indentured child labor" means all work or service-

(1) Exacted from any person under the age of 18 under the menace of any penalty for its nonperformance and for which the worker does not offer himself voluntarily; or

(2) Performed by any person under the age of 18 pursuant to a contract the enforcement of which can be accomplished by process or penalties.

"Highest-level owner" means the entity that owns or controls an immediate owner of the offeror, or that owns or controls one or more entities that control an immediate owner of the offeror. No entity owns or exercises control of the highest level owner.

"Immediate owner" means an entity, other than the offeror, that has direct control of the offeror. Indicators of control include, but are not limited to, one or more of the following: Ownership or interlocking management, identity of interests among family members, shared facilities and equipment, and the common use of employees.

"Inverted domestic corporation" means a foreign incorporated entity that meets the definition of an inverted domestic corporation under 6 U.S.C. 395(b), applied in accordance with the rules and definitions of 6 U.S.C. 395(c).

"Manufactured end product" means any end product in product and service codes (PSCs) 1000-9999, except--

(1) PSC 5510, Lumber and Related Basic Wood Materials;

(2) Product or Service Group (PSG) 87, Agricultural Supplies;

(3) PSG 88, Live Animals;

(4) PSG 89, Subsistence;

(5) PSC 9410, Crude Grades of Plant Materials;

(6) PSC 9430, Miscellaneous Crude Animal Products, Inedible;

(7) PSC 9440, Miscellaneous Crude Agricultural and Forestry Products;

(8) PSC 9610, Ores;

(9) PSC 9620, Minerals, Natural and Synthetic; and

(10) PSC 9630, Additive Metal Materials.

“Place of manufacture” means the place where an end product is assembled out of components, or otherwise made or processed from raw materials into the finished product that is to be provided to the Government. If a product is disassembled and reassembled, the place of reassembly is not the place of manufacture.

“Predecessor” means an entity that is replaced by a successor and includes any predecessors of the predecessor.

“Restricted business operations” means business operations in Sudan that include power production activities, mineral extraction activities, oil-related activities, or the production of military equipment, as those terms are defined in the Sudan Accountability and Divestment Act of 2007 (Pub. L. 110-174). Restricted business operations do not include business operations that the person (as that term is defined in Section 2 of the Sudan Accountability and Divestment Act of 2007) conducting the business can demonstrate--

(1) Are conducted under contract directly and exclusively with the regional government of southern Sudan;

(2) Are conducted pursuant to specific authorization from the Office of Foreign Assets Control in the Department of the Treasury, or are expressly exempted under Federal law from the requirement to be conducted under such authorization;

(3) Consist of providing goods or services to marginalized populations of Sudan;

(4) Consist of providing goods or services to an internationally recognized peacekeeping force or humanitarian organization;

(5) Consist of providing goods or services that are used only to promote health or education; or

(6) Have been voluntarily suspended.

“Sensitive technology”--

(1) Means hardware, software, telecommunications equipment, or any other technology that is to be used specifically--

(i) To restrict the free flow of unbiased information in Iran; or

(ii) To disrupt, monitor, or otherwise restrict speech of the people of Iran; and

(2) Does not include information or informational materials the export of which the President does not have the authority to regulate or prohibit pursuant to section 203(b)(3) of the International Emergency Economic Powers Act (50 U.S.C. 1702(b)(3)).

“Service-disabled veteran-owned small business concern”--

(1) Means a small business concern--

(i) Not less than 51 percent of which is owned by one or more service-disabled veterans or, in the case of any publicly owned business, not less than 51 percent of the stock of which is owned by one or more service-disabled veterans; and

(ii) The management and daily business operations of which are controlled by one or more service-disabled veterans or, in the case of a service-disabled veteran with permanent and severe disability, the spouse or permanent caregiver of such veteran.

(2) Service-disabled veteran means a veteran, as defined in 38 U.S.C. 101(2), with a disability that is service-connected, as defined in 38 U.S.C. 101(16).

“Small business concern” means a concern, including its affiliates, that is independently owned and operated, not dominant in the field of operation in which it is bidding on Government contracts, and qualified as a small business under the criteria in 13 CFR Part 121 and size standards in this solicitation.

“Small disadvantaged business concern”, consistent with 13 CFR 124.1002, means a small business concern under the size standard applicable to the acquisition, that--

(1) Is at least 51 percent unconditionally and directly owned (as defined at 13 CFR 124.105) by--

(i) One or more socially disadvantaged (as defined at 13 CFR 124.103) and economically disadvantaged (as defined at 13 CFR 124.104) individuals who are citizens of the United States; and

(ii) Each individual claiming economic disadvantage has a net worth not exceeding \$750,000 after taking into account the applicable exclusions set forth at 13 CFR 124.104(c)(2); and

(2) The management and daily business operations of which are controlled (as defined at 13.CFR 124.106) by individuals, who meet the criteria in paragraphs (1)(i) and (ii) of this definition.

“Subsidiary” means an entity in which more than 50 percent of the entity is owned--

(1) Directly by a parent corporation; or

(2) Through another subsidiary of a parent corporation.

“Successor” means an entity that has replaced a predecessor by acquiring the assets and carrying out the affairs of the predecessor under a new name (often through acquisition or merger). The term “successor” does not include new offices/divisions of the same company or a company that only changes its name. The extent of the responsibility of the successor for the liabilities of the predecessor may vary, depending on State law and specific circumstances.

“Veteran-owned small business concern” means a small business concern--

(1) Not less than 51 percent of which is owned by one or more veterans (as defined at 38 U.S.C. 101(2)) or, in the case of any publicly owned business, not less than 51 percent of the stock of which is owned by one or more veterans; and

(2) The management and daily business operations of which are controlled by one or more veterans.

"Women-owned business concern" means a concern which is at least 51 percent owned by one or more women; or in the case of any publicly owned business, at least 51 percent of the stock of which is owned by one or more women; and whose management and daily business operations are controlled by one or more women.

“Women-owned small business concern” means a small business concern--

(1) That is at least 51 percent owned by one or more women or, in the case of any publicly owned business, at least 51 percent of its stock is owned by one or more women; or

(2) Whose management and daily business operations are controlled by one or more women.

“Women-owned small business (WOSB) concern eligible under the WOSB Program (in accordance with 13 CFR part 127)”, means a small business concern that is at least 51 percent directly and unconditionally owned by, and the management and daily business operations of which are controlled by, one or more women who are citizens of the United States.

(b) (1) Annual Representations and Certifications. Any changes provided by the offeror in paragraph (b)(2) of this provision do not automatically change the representations and certifications posted electronically on the SAM website.

(2) The offeror has completed the annual representations and certifications electronically via the SAM website accessed through <https://www.acquisition.gov>. After reviewing the SAM database information, the offeror verifies by submission of this offer that the representations and certifications currently posted electronically at FAR 52.212-3, Offeror Representations and Certifications--Commercial Items, have been entered or updated in the last 12 months, are current, accurate, complete, and applicable to this solicitation (including the business size standard applicable to the NAICS code referenced for this solicitation), as of the date of this offer and are incorporated in this offer by reference (see FAR 4.1201), except for paragraphs ____ .

[Offeror to identify the applicable paragraphs at (c) through (u) of this provision that the offeror has completed for the purposes of this solicitation only, if any.) These amended representation(s) and/or certification(s) are also incorporated in this offer and are current, accurate, and complete as of the date of this offer. Any changes provided by the offeror are applicable to this solicitation only, and do not result in an update to the representations and certifications posted electronically on SAM.]

(c) Offerors must complete the following representations when the resulting contract will be performed in the United States or its outlying areas. Check all that apply.

(1) Small business concern. The offeror represents as part of its offer that it (____) is, (____) is not a small business concern.

(2) Veteran-owned small business concern. (Complete only if the offeror represented itself as a small business concern in paragraph (c)(1) of this provision.) The offeror represents as part of its offer that it (____) is, (____) is not a veteran-owned small business concern.

(3) Service-disabled veteran-owned small business concern. (Complete only if the offeror represented itself as a veteran-owned small business concern in paragraph (c)(2) of this provision.) The offeror represents as part of its offer that it (____) is, (____) is not a service-disabled veteran-owned small business concern.

(4) Small disadvantaged business concern. (Complete only if the offeror represented itself as a small business concern in paragraph (c)(1) of this provision.) The offeror represents that it (____) is, (____) is not a small disadvantaged business concern as defined in 13 CFR 124.1002.

(5) Women-owned small business concern. (Complete only if the offeror represented itself as a small business concern in paragraph (c)(1) of this provision.) The offeror represents that it (____) is, (____) is not a women-owned small business concern.

(6) WOSB concern eligible under the WOSB Program. [Complete only if the offeror represented itself as a women-owned small business concern in paragraph (c)(5) of this provision.] The offeror represents that--

(i) It [____] is, [____] is not a WOSB concern eligible under the WOSB Program, has provided all the required documents to the WOSB Repository, and no change in circumstances or adverse decisions have

been issued that affects its eligibility; and

(ii) It [___] is, [___] is not a joint venture that complies with the requirements of 13 CFR part 127, and the representation in paragraph (c)(6)(i) of this provision is accurate for each WOSB concern eligible under the WOSB Program participating in the joint venture. [The offeror shall enter the name or names of the WOSB concern eligible under the WOSB Program and other small businesses that are participating in the joint venture: ___ .] Each WOSB concern eligible under the WOSB Program participating in the joint venture shall submit a separate signed copy of the WOSB representation.

(7) Economically disadvantaged women-owned small business (EDWOSB) concern. [Complete only if the offeror represented itself as a WOSB concern eligible under the WOSB Program in (c)(6) of this provision.] The offeror represents that--

(i) It [___] is, [___] is not an EDWOSB concern, has provided all the required documents to the WOSB Repository, and no change in circumstances or adverse decisions have been issued that affects its eligibility; and

(ii) It [___] is, [___] is not a joint venture that complies with the requirements of 13 CFR part 127, and the representation in paragraph (c)(7)(i) of this provision is accurate for each EDWOSB concern participating in the joint venture. [The offeror shall enter the name or names of the EDWOSB concern and other small businesses that are participating in the joint venture: ___ -.] Each EDWOSB concern participating in the joint venture shall submit a separate signed copy of the EDWOSB representation.

Note: Complete paragraphs (c)(8) and (c)(9) only if this solicitation is expected to exceed the simplified acquisition threshold.

(8) Women-owned business concern (other than small business concern). (Complete only if the offeror is a women-owned business concern and did not represent itself as a small business concern in paragraph (c)(1) of this provision.) The offeror represents that it (___) is, a women-owned business concern.

(9) Tie bid priority for labor surplus area concerns. If this is an invitation for bid, small business offerors may identify the labor surplus areas in which costs to be incurred on account of manufacturing or production (by offeror or first-tier subcontractors) amount to more than 50 percent of the contract price:

(10) HUBZone small business concern. (Complete only if the offeror represented itself as a small business concern in paragraph (c)(1) of this provision.) The offeror represents, as part of its offer, that--

(i) It [___] is, [___] is not a HUBZone small business concern listed, on the date of this representation, on the List of Qualified HUBZone Small Business Concerns maintained by the Small Business Administration, and no material changes in ownership and control, principal office, or HUBZone employee percentage have occurred since it was certified in accordance with 13 CFR Part 126; and

(ii) It [___] is, [___] is not a HUBZone joint venture that complies with the requirements of 13 CFR Part 126, and the representation in paragraph (c)(10)(i) of this provision is accurate for each HUBZone small business concern participating in the HUBZone joint venture. [The offeror shall enter the names of each of the HUBZone small business concerns participating in the HUBZone joint venture: ___ .] Each HUBZone small business concern participating in the HUBZone joint venture shall submit a separate signed copy of the HUBZone representation.

(d) Certifications and representations required to implement provisions of Executive Order 11246--

(1) Previous Contracts and Compliance. The offeror represents that--

(i) It (___) has, (___) has not, participated in a previous contract or subcontract subject either to the Equal Opportunity clause of this solicitation, the and

(ii) It (___) has, (___) has not, filed all required compliance reports.

(2) Affirmative Action Compliance. The offeror represents that--

(i) It (___) has developed and has on file, (___) has not developed and does not have on file, at each establishment, affirmative action programs required by rules and regulations of the Secretary of Labor (41 CFR Subparts 60-1 and 60-2), or

(ii) It (___) has not previously had contracts subject to the written affirmative action programs requirement of the rules and regulations of the Secretary of Labor.

(e) Certification Regarding Payments to Influence Federal Transactions (31 U.S.C. 1352). (Applies only if the contract is expected to exceed \$150,000.) By submission of its offer, the offeror certifies to the best of its knowledge and belief that no Federal appropriated funds have been paid or will be paid to any person for influencing or attempting to influence an officer or employee of any agency, a Member of Congress, an officer or employee of Congress or an employee of a Member of Congress on his or her behalf in connection with the award of any resultant contract. If any registrants under the Lobbying Disclosure Act of 1995 have made a lobbying contact on behalf of the offeror with respect to this contract, the offeror shall complete and submit, with its offer, OMB Standard Form LLL, Disclosure of Lobbying Activities, to provide the name of the registrants. The offeror need not report regularly employed officers or employees of the offeror to whom payments of reasonable compensation were made.

(f) Buy American Certificate. (Applies only if the clause at Federal Acquisition Regulation (FAR) 52.225-1, Buy American --Supplies, is included in this solicitation.)

(1) The offeror certifies that each end product, except those listed in paragraph (f)(2) of this provision, is a domestic end product and that for other than COTS items, the offeror has considered components of unknown origin to have been mined, produced, or manufactured outside the United States. The offeror shall list as foreign end products those end products manufactured in the United States that do not qualify as domestic end products, i.e., an end product that is not a COTS item and does not meet the component test in paragraph (2) of the definition of "domestic end product." The terms "commercially available off-the-shelf (COTS) item," "component," "domestic end product," "end product," "foreign end product," and "United States" are defined in the clause of this solicitation entitled "Buy American--Supplies."

(2) Foreign End Products:

Line Item No.	Country of Origin
___	___
___	___
___	___

(List as necessary)

(3) The Government will evaluate offers in accordance with the policies and procedures of FAR Part 25.

(g)(1) Buy American--Free Trade Agreements--Israeli Trade Act Certificate. (Applies only if the clause at FAR 52.225-3, Buy American--Free Trade Agreements--Israeli Trade Act, is included in this solicitation.)

(i) The offeror certifies that each end product, except those listed in paragraph (g)(1)(ii) or (g)(1)(iii) of this provision, is a domestic end product and that for other than COTS items, the offeror has considered components of

unknown origin to have been mined, produced, or manufactured outside the United States. The terms "Bahrainian, Moroccan, Omani, Panamanian, or Peruvian end product," "commercially available off-the-shelf (COTS) item," "component," "domestic end product," "end product," "foreign end product," "Free Trade Agreement country," "Free Trade Agreement country end product," "Israeli end product," and "United States" are defined in the clause of this solicitation entitled "Buy American--Free Trade Agreements--Israeli Trade Act."

(ii) The offeror certifies that the following supplies are Free Trade Agreement country end products (other than Bahrainian, Moroccan, Omani, Panamanian, or Peruvian end products) or Israeli end products as defined in the clause of this solicitation entitled "Buy American--Free Trade Agreements--Israeli Trade Act":

Free Trade Agreement Country End Products (Other than Bahrainian, Moroccan, Omani, Panamanian, or Peruvian End Products) or Israeli End Products:

Line Item No.	Country of Origin
---	---
---	---
---	---

[List as necessary]

(iii) The offeror shall list those supplies that are foreign end products (other than those listed in paragraph (g)(1)(ii) of this provision) as defined in the clause of this solicitation entitled "Buy American-Free Trade Agreements-Israeli Trade Act." The offeror shall list as other foreign end products those end products manufactured in the United States that do not qualify as domestic end products, i.e., an end product that is not a COTS item and does not meet the component test in paragraph (2) of the definition of "domestic end product."

Other Foreign End Products:

Line Item No.	Country of Origin
---	---
---	---
---	---

[List as necessary]

(iv) The Government will evaluate offers in accordance with the policies and procedures of FAR Part 25. (2) *Buy American Act-Free Trade Agreements-Israeli Trade Act Certificate, Alternate I (Jan 2004)*. If Alternate I to the clause at FAR 52.225-3 is included in this solicitation, substitute the following paragraph (g)(1)(ii) for paragraph (g)(1)(ii) of the basic provision:

(g)(1)(ii) The offeror certifies that the following supplies are Canadian end products as defined in the clause of this solicitation entitled "Buy American -Free Trade Agreements-Israeli Trade Act":

Canadian End Products:

Line Item No.

[List as necessary]

(3) Buy American-Free Trade Agreements-Israeli Trade Act Certificate, Alternate II (Jan 2004). If Alternate II to the clause at FAR 52.225-3 is included in this solicitation, substitute the following paragraph (g)(1)(ii) for paragraph (g)(1)(ii) of the basic provision:

(g)(1)(ii) The offeror certifies that the following supplies are Canadian end products or Israeli end products as defined in the clause of this solicitation entitled "Buy American-Free Trade Agreements-Israeli Trade Act":

Canadian or Israeli End Products:

Line Item No.	Country of Origin
---	---
---	---
---	---

[List as necessary]

(4) Buy American--Free Trade Agreements--Israeli Trade Act Certificate, Alternate III. If Alternate III to the clause at FAR 52.225-3 is included in this solicitation, substitute the following paragraph (g)(1)(ii) for paragraph (g)(1)(ii) of the basic provision:

(g)(1)(ii) The offeror certifies that the following supplies are Free Trade Agreement country end products (other than Bahrainian, Korean, Moroccan, Omani, Panamanian, or Peruvian end products) or Israeli end products as defined in the clause of this solicitation entitled "Buy American --Free Trade Agreements--Israeli Trade Act":

Free Trade Agreement Country End Products (Other than Bahrainian, Korean, Moroccan, Omani, Panamanian, or Peruvian End Products) or Israeli End Products:

Line Item No.	Country of Origin
---	---
---	---
---	---

[List as necessary]

(5) Trade Agreements Certificate. (Applies only if the clause at FAR 52.225-5, Trade Agreements, is included in this solicitation.)

(i) The offeror certifies that each end product, except those listed in paragraph (g)(5)(ii) of this provision, is a U.S.-made or designated country end product, as defined in the clause of this solicitation entitled "Trade Agreements".

(ii) The offeror shall list as other end products those end products that are not U.S.-made or designated country end products.

Other End Products:

Line Item No.	Country of Origin
___	___
___	___
___	___

[List as necessary]

(iii) The Government will evaluate offers in accordance with the policies and procedures of FAR Part 25. For line items covered by the WTO GPA, the Government will evaluate offers of U.S.-made or designated country end products without regard to the restrictions of the Buy American statute. The Government will consider for award only offers of U.S.-made or designated country end products unless the Contracting Officer determines that there are no offers for such products or that the offers for such products are insufficient to fulfill the requirements of the solicitation.

(h) *Certification Regarding Responsibility Matters (Executive Order 12689)*. (Applies only if the contract value is expected to exceed the simplified acquisition threshold.) The offeror certifies, to the best of its knowledge and belief, that the offeror and/or any of its principals--

(1) [___] Are, [___] are not presently debarred, suspended, proposed for debarment, or declared ineligible for the award of contracts by any Federal agency;

(2) [___] Have, [___] have not, within a three-year period preceding this offer, been convicted of or had a civil judgment rendered against them for: commission of fraud or a criminal offense in connection with obtaining, attempting to obtain, or performing a Federal, state or local government contract or subcontract; violation of Federal or state antitrust statutes relating to the submission of offers; or commission of embezzlement, theft, forgery, bribery, falsification or destruction of records, making false statements, tax evasion, violating Federal criminal tax laws, or receiving stolen property; and

(3) [___] Are, [___] are not presently indicted for, or otherwise criminally or civilly charged by a Government entity with, commission of any of these offenses enumerated in paragraph (h)(2) of this clause; and

(4) [___] Have, [___] have not, within a three-year period preceding this offer, been notified of any delinquent Federal taxes in an amount that exceeds \$3,500 for which the liability remains unsatisfied.

(i) Taxes are considered delinquent if both of the following criteria apply:

(A) *The tax liability is finally determined.* The liability is finally determined if it has been assessed. A liability is not finally determined if there is a pending administrative or judicial challenge. In the case of a judicial challenge to the liability, the liability is not finally determined until all judicial appeal rights have been exhausted.

(B) *The taxpayer is delinquent in making payment.* A taxpayer is delinquent if the taxpayer has failed to pay the tax liability when full payment was due and required. A taxpayer is not delinquent in cases where enforced collection action is precluded.

(ii) Examples.

(A) The taxpayer has received a statutory notice of deficiency, under I.R.C. §6212, which entitles the taxpayer to seek Tax Court review of a proposed tax deficiency. This is not a delinquent tax because it is not a final tax liability. Should the taxpayer seek Tax Court review, this will not be a final tax liability until the taxpayer has exercised all judicial appeal rights.

(B) The IRS has filed a notice of Federal tax lien with respect to an assessed tax liability, and the taxpayer has been issued a notice under I.R.C. §6320 entitling the taxpayer to request a hearing with the IRS Office of Appeals Contesting the lien filing, and to further appeal to the Tax Court if the IRS determines to sustain the lien filing. In the course of the hearing, the taxpayer is entitled to contest the underlying tax liability because the taxpayer has had no prior opportunity to contest the liability. This is not a delinquent tax because it is not a final tax liability. Should the taxpayer seek tax court review, this will not be a final tax liability until the taxpayer has exercised all judicial appeal rights.

(C) The taxpayer has entered into an installment agreement pursuant to I.R.C. §6159. The taxpayer is making timely payments and is in full compliance with the agreement terms. The taxpayer is not delinquent because the taxpayer is not currently required to make full payment.

(D) The taxpayer has filed for bankruptcy protection. The taxpayer is not delinquent because enforced collection action is stayed under 11 U.S.C. §362 (the Bankruptcy Code).

(i) Certification Regarding Knowledge of Child Labor for *Listed End Products (Executive Order 13126)*. [*The Contracting Officer must list in paragraph (i)(1) any end products being acquired under this solicitation that are included in the List of Products Requiring Contractor Certification as to Forced or Indentured Child Labor, unless excluded at 22.1503(b).*]

(1) *Listed end products.*

Listed End Product	Listed Countries of Origin
—	—
—	—
—	—

(2) *Certification.* [*If the Contracting Officer has identified end products and countries of origin in paragraph (i)(1) of this provision, then the offeror must certify to either (i)(2)(i) or (i)(2)(ii) by checking the appropriate block.*]

[] (i) The offeror will not supply any end product listed in paragraph (i)(1) of this provision that was mined, produced, or manufactured in the corresponding country as listed for that product.

[] (ii) The offeror may supply an end product listed in paragraph (i)(1) of this provision that was mined, produced, or manufactured in the corresponding country as listed for that product. The offeror certifies that it has made a good faith effort to determine whether forced or indentured child labor was used to mine, produce, or manufacture any such end product furnished under this contract. On the basis of those efforts, the offeror certifies that it is not aware of any such use of child labor.

(j) *Place of manufacture.* (Does not apply unless the solicitation is predominantly for the acquisition of manufactured end products.) For statistical purposes only, the offeror shall indicate whether the place of manufacture of the end products it expects to provide in response to this solicitation is predominantly—

(1) () In the United States (Check this box if the total anticipated price of offered end products manufactured in the United States exceeds the total anticipated price of offered end products manufactured outside the United States); or

(2) () Outside the United States.

(j) *Place of manufacture.* (Does not apply unless the solicitation is predominantly for the acquisition of manufactured end products.) For statistical purposes only, the offeror shall indicate whether the place of manufacture of the end products it expects to provide in response to this solicitation is predominantly--

(1) () In the United States (Check this box if the total anticipated price of offered end products manufactured in the United States exceeds the total anticipated price of offered end products manufactured outside the United States); or

(2) () Outside the United States.

(k) Certificates regarding exemptions from the application of the Service Contract Labor Standards. (Certification by the offeror as to its compliance with respect to the contract also constitutes its certification as to compliance by its subcontractor if it subcontracts out the exempt services.)

[*The contracting officer is to check a box to indicate if paragraph (k)(1) or (k)(2) applies.*]

[] (1) Maintenance, calibration, or repair of certain equipment as described in FAR 22.1003-4(c)(1). The offeror () does () does not certify that—

(i) The items of equipment to be serviced under this contract are used regularly for other than Governmental purposes and are sold or traded by the offeror (or subcontractor in the case of an exempt subcontract) in substantial quantities to the general public in the course of normal business operations;

(ii) The services will be furnished at prices which are, or are based on, established catalog or market prices (see FAR 22.1003-4(c)(2)(ii)) for the maintenance, calibration, or repair of such equipment; and

(iii) The compensation (wage and fringe benefits) plan for all service employees performing work under the contract will be the same as that used for these employees and equivalent employees servicing the same equipment of commercial customers.

[] (2) Certain services as described in FAR 22.1003-4(d)(1). The offeror () does () does not certify that—

(i) The services under the contract are offered and sold regularly to non-Governmental customers, and are provided by the offeror (or subcontractor in the case of an exempt subcontract) to the general public in substantial quantities in the course of normal business operations;

(ii) The contract services will be furnished at prices that are, or are based on, established catalog or market prices (see FAR 22.1003-4(d)(2)(iii));

(iii) Each service employee who will perform the services under the contract will spend only a small portion of his or her time (a monthly average of less than 20 percent of the available hours on an annualized basis, or less than 20 percent of available hours during the contract period if the contract period is less than a month) servicing the Government contract; and

(iv) The compensation (wage and fringe benefits) plan for all service employees performing work under the contract is the same as that used for these employees and equivalent employees servicing commercial customers.

(3) If paragraph (k)(1) or (k)(2) of this clause applies—

(i) If the offeror does not certify to the conditions in paragraph (k)(1) or (k)(2) and the Contracting Officer did not attach a Service Contract Labor Standards wage determination to the solicitation, the offeror shall notify the Contracting Officer as soon as possible; and

(ii) The Contracting Officer may not make an award to the offeror if the offeror fails to execute the certification in paragraph (k)(1) or (k)(2) of this clause or to contact the Contracting Officer as required in paragraph (k)(3)(i) of this clause.

(l) Taxpayer Identification Number (TIN) (26 U.S.C. 6109, 31 U.S.C. 7701). (Not applicable if the offeror is required to provide this information to the SAM database to be eligible for award.)

(1) All offerors must submit the information required in paragraphs (l)(3) through (l)(5) of this provision to comply with debt collection requirements of 31 U.S.C. 7701(c) and 3325(d), reporting requirements of 26 U.S.C. 6041, 6041A, and 6050M, and implementing regulations issued by the Internal Revenue Service (IRS).

(2) The TIN may be used by the Government to collect and report on any delinquent amounts arising out of the offeror's relationship with the Government (31 U.S.C. 7701(c)(3)). If the resulting contract is subject to the payment reporting requirements described in FAR 4.904, the TIN provided hereunder may be matched with IRS records to verify the accuracy of the offeror's TIN.

(3) Taxpayer Identification Number (TIN).

(___) TIN: -----.

(___) TIN has been applied for.

(___) TIN is not required because:

(___) Offeror is a nonresident alien, foreign corporation, or foreign partnership that does not have income effectively connected with the conduct of a trade or business in the United States and does not have an office or place of business or a fiscal paying agent in the United States;

(___) Offeror is an agency or instrumentality of a foreign government;

(___) Offeror is an agency or instrumentality of the Federal Government.

(4) Type of organization.

(___) Sole proprietorship;

(___) Partnership;

- (___) Corporate entity (not tax-exempt);
- (___) Corporate entity (tax-exempt);
- (___) Government entity (Federal, State, or local);
- (___) Foreign government;
- (___) International organization per 26 CFR 1.6049-4;
- (___) Other -----.

(5) Common parent.

(___) Offeror is not owned or controlled by a common parent;

(___) Name and TIN of common parent:

Name - ___ .

TIN - ___ .

(m) Restricted business operations in Sudan. By submission of its offer, the offeror certifies that the offeror does not conduct any restricted business operations in Sudan.

(n) Prohibition on Contracting with Inverted Domestic Corporations—

(1) Government agencies are not permitted to use appropriated (or otherwise made available) funds for contracts with either an inverted domestic corporation, or a subsidiary of an inverted domestic corporation, unless the exception at 9.108-2(b) applies or the requirement is waived in accordance with the procedures at 9.108-4.

(2) Representation. By submission of its offer, the offeror represents that--

(i) It is not an inverted domestic corporation; and

(ii) It is not a subsidiary of an inverted domestic corporation.

(o) Prohibition on contracting with entities engaging in certain activities or transactions relating to Iran.

(1) The offeror shall e-mail questions concerning sensitive technology to the Department of State at CISADA106@state.gov.

(2) *Representation and Certifications*. Unless a waiver is granted or an exception applies as provided in paragraph (o)(3) of this provision, by submission of its offer, the offeror—

(i) Represents, to the best of its knowledge and belief, that the offeror does not export any sensitive technology to the government of Iran or any entities or individuals owned or controlled by, or acting on behalf or at the direction of, the government of Iran;

(ii) Certifies that the offeror, or any person owned or controlled by the offeror, does not engage in any activities for which sanctions may be imposed under section 5 of the Iran Sanctions Act; and

(iii) Certifies that the offeror, and any person owned or controlled by the offeror, does not knowingly engage in any transaction that exceeds \$3,500 with Iran's Revolutionary Guard Corps or any of its officials, agents, or affiliates, the property and interests in property of which are blocked pursuant to the International Emergency Economic

Powers Act (50 U.S.C. 1701 et seq.) (see OFAC's Specially Designated Nationals and Blocked Persons List at <http://www.treasury.gov/ofac/downloads/t11sdn.pdf>).

(3) The representation and certification requirements of paragraph (o)(2) of this provision do not apply if—

(i) This solicitation includes a trade agreements certification (e.g., [52.212-3\(g\)](#)) or a comparable agency provision); and

(ii) The offeror has certified that all the offered products to be supplied are designated country end products.

(p) *Ownership or Control of Offeror.* (Applies in all solicitations when there is a requirement to be registered in SAM or a requirement to have a unique entity identifier in the solicitation.

(1) The Offeror represents that it [] has or [] does not have an immediate owner. If the Offeror has more than one immediate owner (such as a joint venture), then the Offeror shall respond to paragraph (2) and if applicable, paragraph (3) of this provision for each participant in the joint venture.

(2) If the Offeror indicates “has” in paragraph (p)(1) of this provision, enter the following information:

Immediate owner CAGE code: _____

Immediate owner legal name: _____

(Do not use a “doing business as” name)

Is the immediate owner owned or controlled by another entity:

[] Yes or [] No.

(3) If the Offeror indicates “yes” in paragraph (p)(2) of this provision, indicating that the immediate owner is owned or controlled by another entity, then enter the following information:

Highest level owner CAGE code: _____

Highest level owner legal name: _____

(Do not use a “doing business as” name)

(q) *Representation by Corporations Regarding Delinquent Tax Liability or a Felony Conviction under any Federal Law.*

(1) As required by section 744 and 745 of Division E of the Consolidated and Further Continuing Appropriations Act, 2015 (Pub. L. 113-235), and similar provisions, if contained in subsequent appropriations acts, the Government will not enter into a contract with any corporation that—

(i) Has any unpaid Federal tax liability that has been assessed, for which all judicial and administrative remedies have been exhausted or have lapsed, and that is not being paid in a timely manner pursuant to an agreement with the authority responsible for collecting the tax liability, where the awarding agency is aware of the unpaid tax liability, unless and agency has considered suspension or debarment of the corporation and made a determination that suspension or debarment is not necessary to protect the interests of the Government; or

(ii) Was convicted of a felony criminal violation under any Federal law within the preceding 24 months, where the awarding agency is aware of the conviction, unless an agency has considered suspension or debarment of the corporation and made a determination that this action is not necessary to protect the interests of the Government.

(2) The Offeror represents that--

(i) It is [____] is not [____] a corporation that has any unpaid Federal tax liability that has been assessed, for which all judicial and administrative remedies have been exhausted or have lapsed, and that is not being paid in a timely manner pursuant to an agreement with the authority responsible for collecting the tax liability; and

(ii) It is [____] is not [____] a corporation that was convicted of a felony criminal violation under a Federal law within the preceding 24 months.

(r) Predecessor of Offeror. (Applies in all solicitations that include the provision at 52.204-16, Commercial and Government Entity Code Reporting.)

(1) The Offeror represents that it [____] is or [____] is not a successor to a predecessor that held a Federal contract or grant within the last three years.

(2) If the Offeror has indicated ``is" in paragraph (r)(1) of this provision, enter the following information for all predecessors that held a Federal contract or grant within the last three years (if more than one predecessor, list in reverse chronological order):

Predecessor CAGE code: ____ (or mark ``Unknown").

Predecessor legal name: ____ .

(Do not use a ``doing business as" name).

(t) Public Disclosure of Greenhouse Gas Emissions and Reduction Goals. Applies in all solicitations that require offerors to register in SAM (52.212-1(k)).

(1) This representation shall be completed if the Offeror received \$7.5 million or more in contract awards in the prior Federal fiscal year. The representation is optional if the Offeror received less than \$7.5 million in Federal contract awards in the prior Federal fiscal year.

(2) Representation. [Offeror to check applicable block(s) in paragraph (t)(2)(i) and (ii)]. (i) The Offeror (itself or through its immediate owner or highest-level owner) [____] does, [____] does not publicly disclose greenhouse gas emissions, i.e., makes available on a publicly accessible Web site the results of a greenhouse gas inventory, performed in accordance with an accounting standard with publicly available and consistently applied criteria, such as the Greenhouse Gas Protocol Corporate Standard.

(ii) The Offeror (itself or through its immediate owner or highest-level owner) [____] does, [____] does not publicly disclose a quantitative greenhouse gas emissions reduction goal, i.e., make available on a publicly accessible Web site a target to reduce absolute emissions or emissions intensity by a specific quantity or percentage.

(iii) A publicly accessible Web site includes the Offeror's own Web site or a recognized, third-party greenhouse gas emissions reporting program.

(3) If the Offeror checked ``does" in paragraphs (t)(2)(i) or (t)(2)(ii) of this provision, respectively, the Offeror shall provide the publicly accessible Web site(s) where greenhouse gas emissions and/or reduction goals are reported:

____ .

(u)(1) In accordance with section 743 of Division E, Title VII, of the Consolidated and Further Continuing Appropriations Act, 2015 (Pub. L. 113-235) and its successor provisions in subsequent appropriations acts (and as extended in continuing resolutions), Government agencies are not permitted to use appropriated (or otherwise made available) funds for contracts with an entity that requires employees or subcontractors of such entity seeking to report waste, fraud, or abuse to sign internal confidentiality agreements or statements prohibiting or otherwise restricting such employees or subcontractors from lawfully reporting such waste, fraud, or abuse to a designated investigative or law enforcement representative of a Federal department or agency authorized to receive such information.

(2) The prohibition in paragraph (u)(1) of this provision does not contravene requirements applicable to Standard Form 312 (Classified Information Nondisclosure Agreement), Form 4414 (Sensitive Compartmented Information Nondisclosure Agreement), or any other form issued by a Federal department or agency governing the nondisclosure of classified information.

(3) Representation. By submission of its offer, the Offeror represents that it will not require its employees or subcontractors to sign or comply with internal confidentiality agreements or statements prohibiting or otherwise restricting such employees or subcontractors from lawfully reporting waste, fraud, or abuse related to the performance of a Government contract to a designated investigative or law enforcement representative of a Federal department or agency authorized to receive such information (e.g., agency Office of the Inspector General).

(End of provision)

52.212-4 CONTRACT TERMS AND CONDITIONS-- COMMERCIAL ITEMS (JAN 2017)

(a) Inspection/Acceptance. The Contractor shall only tender for acceptance those items that conform to the requirements of this contract. The Government reserves the right to inspect or test any supplies or services that have been tendered for acceptance. The Government may require repair or replacement of nonconforming supplies or reperformance of nonconforming services at no increase in contract price. If repair/replacement or reperformance will not correct the defects or is not possible, the Government may seek an equitable price reduction or adequate consideration for acceptance of nonconforming supplies or services. The Government must exercise its post-acceptance rights (1) within a reasonable time after the defect was discovered or should have been discovered; and (2) before any substantial change occurs in the condition of the item, unless the change is due to the defect in the item.

(b) Assignment. The Contractor or its assignee may assign its rights to receive payment due as a result of performance of this contract to a bank, trust company, or other financing institution, including any Federal lending agency in accordance with the Assignment of Claims Act (31 U.S.C. 3727). However, when a third party makes payment (e.g., use of the Governmentwide commercial purchase card), the Contractor may not assign its rights to receive payment under this contract.

(c) Changes. Changes in the terms and conditions of this contract may be made only by written agreement of the parties.

(d) Disputes. This contract is subject to 41 U.S.C. chapter 71, "Contract Disputes", as amended (41 U.S.C. 601-613). Failure of the parties to this contract to reach agreement on any request for equitable adjustment, claim, appeal or action arising under or relating to this contract shall be a dispute to be resolved in accordance with the clause at FAR 52.233-1, Disputes, which is incorporated herein by reference. The Contractor shall proceed diligently with performance of this contract, pending final resolution of any dispute arising under the contract.

(e) Definitions. The clause at FAR 52.202-1, Definitions, is incorporated herein by reference.

(f) Excusable delays. The Contractor shall be liable for default unless nonperformance is caused by an occurrence beyond the reasonable control of the Contractor and without its fault or negligence such as, acts of God or the public enemy, acts of the Government in either its sovereign or contractual capacity, fires, floods, epidemics, quarantine restrictions, strikes, unusually severe weather, and delays of common carriers. The Contractor shall notify the Contracting Officer in writing as soon as it is reasonably possible after the commencement or any excusable delay, setting forth the full particulars in connection therewith, shall remedy such occurrence with all reasonable dispatch and shall promptly give written notice to the Contracting Officer of the cessation of such occurrence.

(g) Invoice.

(1) The Contractor shall submit an original invoice and three copies (or electronic invoice, if authorized) to the address designated in the contract to receive invoices. An invoice must include--

(i) Name and address of the Contractor;

(ii) Invoice date and number;

(iii) Contract number, line item number and, if applicable, the order number;

(iv) Description, quantity, unit of measure, unit price and extended price of the items delivered;

(v) Shipping number and date of shipment, including the bill of lading number and weight of shipment if shipped on Government bill of lading;

(vi) Terms of any discount for prompt payment offered;

(vii) Name and address of official to whom payment is to be sent;

(viii) Name, title, and phone number of person to notify in event of defective invoice; and

(ix) Taxpayer Identification Number (TIN). The Contractor shall include its TIN on the invoice only if required elsewhere in this contract.

(x) Electronic funds transfer (EFT) banking information.

(A) The Contractor shall include EFT banking information on the invoice only if required elsewhere in this contract.

(B) If EFT banking information is not required to be on the invoice, in order for the invoice to be a proper invoice, the Contractor shall have submitted correct EFT banking information in accordance with the applicable solicitation provision, contract clause (e.g., 52.232-33, Payment by Electronic Funds Transfer—System for Award Management, or 52.232-34, Payment by Electronic Funds Transfer--Other Than System for Award Management), or applicable agency procedures.

(C) EFT banking information is not required if the Government waived the requirement to pay by EFT.

(2) Invoices will be handled in accordance with the Prompt Payment Act (31 U.S.C. 3903) and Office of Management and Budget (OMB) prompt payment regulations at 5 CFR part 1315.

(h) [DELETED]

(i) Payment.--

- (1) Items accepted. Payment shall be made for items accepted by the Government that have been delivered to the delivery destinations set forth in this contract.
- (2) Prompt payment. The Government will make payment in accordance with the Prompt Payment Act (31 U.S.C. 3903) and prompt payment regulations at 5 CFR part 1315.
- (3) Electronic Funds Transfer (EFT). If the Government makes payment by EFT, see 52.212-5(b) for the appropriate EFT clause.
- (4) Discount. In connection with any discount offered for early payment, time shall be computed from the date of the invoice. For the purpose of computing the discount earned, payment shall be considered to have been made on the date which appears on the payment check or the specified payment date if an electronic funds transfer payment is made.
- (5) Overpayments. If the Contractor becomes aware of a duplicate contract financing or invoice payment or that the Government has otherwise overpaid on a contract financing or invoice payment, the Contractor shall--
- (i) Remit the overpayment amount to the payment office cited in the contract along with a description of the overpayment including the--
- (A) Circumstances of the overpayment (e.g., duplicate payment, erroneous payment, liquidation errors, date(s) of overpayment);
- (B) Affected contract number and delivery order number, if applicable;
- (C) Affected line item or subline item, if applicable; and
- (D) Contractor point of contact.
- (ii) Provide a copy of the remittance and supporting documentation to the Contracting Officer.
- (6) [DELETED]
- (i) All amounts that become payable by the Contractor to the Government under this contract shall bear simple interest from the date due until paid unless paid within 30 days of becoming due. The interest rate shall be the interest rate established by the Secretary of the Treasury as provided in 41 U.S.C. 7109, which is applicable to the period in which the amount becomes due, as provided in (i)(6)(v) of this clause, and then at the rate applicable for each six-month period as fixed by the Secretary until the amount is paid.
- (ii) The Government may issue a demand for payment to the Contractor upon finding a debt is due under the contract.
- (iii) Final decisions. The Contracting Officer will issue a final decision as required by 33.211 if--
- (A) The Contracting Officer and the Contractor are unable to reach agreement on the existence or amount of a debt within 30 days;
- (B) The Contractor fails to liquidate a debt previously demanded by the Contracting Officer within the timeline specified in the demand for payment unless the amounts were not repaid because the Contractor has requested an installment payment agreement; or
- (C) The Contractor requests a deferment of collection on a debt previously demanded by the Contracting Officer (see 32.607-2).

- (iv) If a demand for payment was previously issued for the debt, the demand for payment included in the final decision shall identify the same due date as the original demand for payment.
- (v) Amounts shall be due at the earliest of the following dates:
- (A) The date fixed under this contract.
 - (B) The date of the first written demand for payment, including any demand for payment resulting from a default termination.
- (vi) The interest charge shall be computed for the actual number of calendar days involved beginning on the due date and ending on--
- (A) The date on which the designated office receives payment from the Contractor;
 - (B) The date of issuance of a Government check to the Contractor from which an amount otherwise payable has been withheld as a credit against the contract debt; or
 - (C) The date on which an amount withheld and applied to the contract debt would otherwise have become payable to the Contractor.
- (vii) The interest charge made under this clause may be reduced under the procedures prescribed in 32.608-2 of the Federal Acquisition Regulation in effect on the date of this contract.
- (j) Risk of loss. Unless the contract specifically provides otherwise, risk of loss or damage to the supplies provided under this contract shall remain with the Contractor until, and shall pass to the Government upon:
- (1) Delivery of the supplies to a carrier, if transportation is f.o.b. origin; or
 - (2) Delivery of the supplies to the Government at the destination specified in the contract, if transportation is f.o.b. destination.
- (k) Taxes. The contract price includes all applicable Federal, State, and local taxes and duties.
- (l) Termination for the Government's convenience. The Government reserves the right to terminate this contract, or any part hereof, for its sole convenience. In the event of such termination, the Contractor shall immediately stop all work hereunder and shall immediately cause any and all of its suppliers and subcontractors to cease work. Subject to the terms of this contract, the Contractor shall be paid a percentage of the contract price reflecting the percentage of the work performed prior to the notice of termination, plus reasonable charges the Contractor can demonstrate to the satisfaction of the Government using its standard record keeping system, have resulted from the termination. The Contractor shall not be required to comply with the cost accounting standards or contract cost principles for this purpose. This paragraph does not give the Government any right to audit the Contractor's records. The Contractor shall not be paid for any work performed or costs incurred which reasonably could have been avoided.
- (m) [DELETED]
- (n) [DELETED]
- (o) Warranty. The Contractor warrants and implies that the items delivered hereunder are merchantable and fit for use for the particular purpose described in this contract.
- (p) Limitation of liability. Except as otherwise provided by an express warranty, the Contractor will not be liable to the Government for consequential damages resulting from any defect or deficiencies in accepted items.

(q) Other compliances. The Contractor shall comply with all applicable Federal, State and local laws, executive orders, rules and regulations applicable to its performance under this contract.

(r) Compliance with laws unique to Government contracts. The Contractor agrees to comply with 31 U.S.C. 1352 relating to limitations on the use of appropriated funds to influence certain Federal contracts; 18 U.S.C. 431 relating to officials not to benefit; 40 U.S.C. chapter 37, Contract Work Hours and Safety Standards; 41 U.S.C. chapter 87, Kickbacks; 41 U.S.C. 4712 and 10 U.S.C. 2409 relating to whistleblower protections; 49 U.S.C. 40118, Fly American; and 41 U.S.C. chapter 21 relating to procurement integrity.

(s) Order of precedence. Any inconsistencies in this solicitation or contract shall be resolved by giving precedence in the following order: (1) the schedule of supplies/services; (2) The Assignments, Disputes, Payments, Invoice, Other Compliances, Compliance with Laws Unique to Government Contracts, and Unauthorized Obligations paragraphs of this clause; (3) the clause at 52.212-5; (4) addenda to this solicitation or contract, including any license agreements for computer software; (5) solicitation provisions if this is a solicitation; (6) other paragraphs of this clause; (7) the Standard Form 1449; (8) other documents, exhibits, and attachments; and (9) the specification.

(t) System for Award Management (SAM). (1) Unless exempted by an addendum to this contract, the Contractor is responsible during performance and through final payment of any contract for the accuracy and completeness of the data within the SAM database, and for any liability resulting from the Government's reliance on inaccurate or incomplete data. To remain registered in the SAM database after the initial registration, the Contractor is required to review and update on an annual basis from the date of initial registration or subsequent updates its information in the SAM database to ensure it is current, accurate and complete. Updating information in the SAM does not alter the terms and conditions of this contract and is not a substitute for a properly executed contractual document.

(2)(i) If a Contractor has legally changed its business name, "doing business as" name, or division name (whichever is shown on the contract), or has transferred the assets used in performing the contract, but has not completed the necessary requirements regarding novation and change-of-name agreements in FAR subpart 42.12, the Contractor shall provide the responsible Contracting Officer a minimum of one business day's written notification of its intention to (A) change the name in the SAM database; (B) comply with the requirements of subpart 42.12; and (C) agree in writing to the timeline and procedures specified by the responsible Contracting Officer. The Contractor must provide with the notification sufficient documentation to support the legally changed name.

(ii) If the Contractor fails to comply with the requirements of paragraph (t)(2)(i) of this clause, or fails to perform the agreement at paragraph (t)(2)(i)(C) of this clause, and, in the absence of a properly executed novation or change-of-name agreement, the SAM information that shows the Contractor to be other than the Contractor indicated in the contract will be considered to be incorrect information within the meaning of the "Suspension of Payment" paragraph of the electronic funds transfer (EFT) clause of this contract.

(3) The Contractor shall not change the name or address for EFT payments or manual payments, as appropriate, in the SAM record to reflect an assignee for the purpose of assignment of claims (see Subpart 32.8, Assignment of Claims). Assignees shall be separately registered in the SAM database. Information provided to the Contractor's SAM record that indicates payments, including those made by EFT, to an ultimate recipient other than that Contractor will be considered to be incorrect information within the meaning of the "Suspension of payment" paragraph of the EFT clause of this contract.

(4) Offerors and Contractors may obtain information on registration and annual confirmation requirements via SAM accessed through <https://www.acquisition.gov>.

(u) [DELETED]

(v) Incorporation by reference. The Contractor's representations and certifications, including those completed electronically via the System for Award Management (SAM), are incorporated by reference into the contract.

(End of Clause)

52.212-5 CONTRACT TERMS AND CONDITIONS REQUIRED TO IMPLEMENT STATUTES OR EXECUTIVE ORDERS--COMMERCIAL ITEMS (JAN 2017)

(a) The Contractor shall comply with the following Federal Acquisition Regulation (FAR) clauses, which are incorporated in this contract by reference, to implement provisions of law or Executive orders applicable to acquisitions of commercial items:

(1) 52.203-19, Prohibition on Requiring Certain Internal Confidentiality Agreements or Statements (JAN 2017) (section 743 of Division E, Title VII, of the Consolidated and Further Continuing Appropriations Act, 2015 (Pub. L. 113-235) and its successor provisions in subsequent appropriations acts (and as extended in continuing resolutions)).

(2) 52.209-10, Prohibition on Contracting with Inverted Domestic Corporations (Nov 2015).

(3) 52.233-3, Protest After Award (AUG 1996) (31 U.S.C. 3553).

(4) 52.233-4, Applicable Law for Breach of Contract Claim (OCT 2004) (Public Laws 108-77 and 108-78 (19 U.S.C. 3805 note)).

(b) The Contractor shall comply with the FAR clauses in this paragraph (b) that the Contracting Officer has indicated as being incorporated in this contract by reference to implement provisions of law or Executive orders applicable to acquisitions of commercial items: (Contracting Officer check as appropriate.)

(1) 52.203-6, Restrictions on Subcontractor Sales to the Government (Sept 2006), with Alternate I (Oct 1995) (41 U.S.C. 4704 and 10 U.S.C. 2402).

(2) 52.203-13, Contractor Code of Business Ethics and Conduct (Oct 2015) (41 U.S.C. 3509).

(3) 52.203-15, Whistleblower Protections under the American Recovery and Reinvestment Act of 2009 (June 2010) (Section 1553 of Pub. L. 111-5). (Applies to contracts funded by the American Recovery and Reinvestment Act of 2009.)

(4) 52.204-10, Reporting Executive Compensation and First-Tier Subcontract Awards (Oct 2016) (Pub. L. 109-282) (31 U.S.C. 6101 note).

(5) [Reserved]

(6) 52.204-14, Service Contract Reporting Requirements (Oct 2016) (Pub. L. 111-117, section 743 of Div. C).

(7) 52.204-15, Service Contract Reporting Requirements for Indefinite-Delivery Contracts (Oct 2016) (Pub. L. 111-117, section 743 of Div. C).

(8) 52.209-6, Protecting the Government's Interest When Subcontracting with Contractors Debarred, Suspended, or Proposed for Debarment. (Oct 2015) (31 U.S.C. 6101 note).

(9) 52.209-9, Updates of Publicly Available Information Regarding Responsibility Matters (July 2013) (41 U.S.C. 2313).

(10) [Reserved]

(11)(i) 52.219-3, Notice of HUBZone Set-Aside or Sole-Source Award (NOV 2011) (15 U.S.C. 657a).

- (ii) Alternate I (NOV 2011) of 52.219-3.
- (12) (i) 52.219-4, Notice of Price Evaluation Preference for HUBZone Small Business Concerns (OCT 2014) (if the offeror elects to waive the preference, it shall so indicate in its offer) (15 U.S.C. 657a).
- (ii) Alternate I (JAN 2011) of 52.219-4.
- (13) [Reserved]
- (14)(i) 52.219-6, Notice of Total Small Business Set-Aside (NOV 2011) (15 U.S.C. 644).
- (ii) Alternate I (NOV 2011).
- (iii) Alternate II (NOV 2011).
- (15)(i) 52.219-7, Notice of Partial Small Business Set-Aside (June 2003) (15 U.S.C. 644).
- (ii) Alternate I (Oct 1995) of 52.219-7.
- (iii) Alternate II (Mar 2004) of 52.219-7.
- (16) 52.219-8, Utilization of Small Business Concerns (Nov 2016) (15 U.S.C. 637(d)(2) and (3)).
- (17)(i) 52.219-9, Small Business Subcontracting Plan (Jan 2017) (15 U.S.C. 637(d)(4)).
- (ii) Alternate I (Nov 2016) of 52.219-9.
- (iii) Alternate II (Nov 2016) of 52.219-9.
- (iv) Alternate III (Nov 2016) of 52.219-9.
- (v) Alternate IV (Nov 2016) of 52.219-9.
- (18) 52.219-13, Notice of Set-Aside of Orders (NOV 2011) (15 U.S.C. 644(r)).
- (19) 52.219-14, Limitations on Subcontracting (JAN 2017) (15 U.S.C. 637(a)(14)).
- (20) 52.219-16, Liquidated Damages—Subcontracting Plan (Jan 1999) (15 U.S.C. 637(d)(4)(F)(i)).
- (21) 52.219-27, Notice of Service-Disabled Veteran-Owned Small Business Set-Aside (NOV 2011) (15 U.S.C. 657f).
- (22) 52.219-28, Post Award Small Business Program Rerepresentation (July 2013) (15 U.S.C. 632(a)(2)).
- (23) 52.219-29, Notice of Set-Aside for, or Sole Source Award to, Economically Disadvantaged Women-Owned Small Business Concerns (Dec 2015) (15 U.S.C. 637(m)).
- (24) 52.219-30, Notice of Set-Aside for, or Sole Source Award to, Women-Owned Small Business Concerns Eligible Under the Women-Owned Small Business Program (Dec 2015) (15 U.S.C. 637(m)).
- (25) 52.222-3, Convict Labor (June 2003) (E.O. 11755).
- (26) 52.222-19, Child Labor--Cooperation with Authorities and Remedies (Oct 2016) (E.O. 13126).

- (27) 52.222-21, Prohibition of Segregated Facilities (Apr 2015).
- (28) 52.222-26, Equal Opportunity (Sept 2016) (E.O. 11246).
- (29) 52.222-35, Equal Opportunity for Veterans (Oct 2015) (38 U.S.C. 4212).
- (30) 52.222-36, Equal Opportunity for Workers with Disabilities (July 2014) (29 U.S.C. 793).
- (31) 52.222-37, Employment Reports on Veterans (FEB 2016) (38 U.S.C. 4212).
- (32) 52.222-40, Notification of Employee Rights Under the National Labor Relations Act (Dec 2010) (E.O. 13496).
- (33)(i) 52.222-50, Combating Trafficking in Persons (March 2, 2015) (22 U.S.C. chapter 78 and E.O. 13627).
- (ii) Alternate I (March 2, 2015) of 52.222-50 (22 U.S.C. chapter 78 and E.O. 13627).
- (34) 52.222-54, Employment Eligibility Verification (Oct 2015). (E. O. 12989). (Not applicable to the acquisition of commercially available off-the-shelf items or certain other types of commercial items as prescribed in 22.1803.)
- (35) 52.222-59, Compliance with Labor Laws (Executive Order 13673) (OCT 2016). (Applies at \$50 million for solicitations and resultant contracts issued from October 25, 2016 through April 24, 2017; applies at \$500,000 for solicitations and resultant contracts issued after April 24, 2017).
- Note to paragraph (b)(35):** By a court order issued on October 24, 2016, 52.222-59 is enjoined indefinitely as of the date of the order. The enjoined paragraph will become effective immediately if the court terminates the injunction. At that time, DoD, GSA, and NASA will publish a document in the Federal Register advising the public of the termination of the injunction.
- (36) 52.222-60, Paycheck Transparency (Executive Order 13673) (OCT 2016).
- (37)(i) 52.223-9, Estimate of Percentage of Recovered Material Content for EPA–Designated Items (May 2008) (42 U.S.C. 6962(c)(3)(A)(ii)). (Not applicable to the acquisition of commercially available off-the-shelf items.)
- (ii) Alternate I (May 2008) of 52.223-9 (42 U.S.C. 6962(i)(2)(C)). (Not applicable to the acquisition of commercially available off-the-shelf items.)
- (38) 52.223-11, Ozone-Depleting Substances and High Global Warming Potential Hydrofluorocarbons (June, 2016) (E.O. 13693).
- (39) 52.223-12, Maintenance, Service, Repair, or Disposal of Refrigeration Equipment and Air Conditioners (June, 2016) (E.O. 13693).
- (40) (i) 52.223-13, Acquisition of EPEAT® Registered Imaging Equipment (Jun 2014) (E.O.s 13423 and 13514).
- (ii) Alternate I (OCT 2015) of 52.223-13.
- (41)(i) 52.223-14, Acquisition of EPEAT® Registered Televisions (Jun 2014) (E.O.s 13423 and 13514).
- (ii) Alternate I (Jun 2014) of 52.223-14.

(42) 52.223-15, Energy Efficiency in Energy-Consuming Products (Dec 2007) (42 U.S.C. 8259b).

___ (43)(i) 52.223-16, Acquisition of EPEAT[supreg]-Registered Personal Computer Products (OCT 2015) (E.O.s 13423 and 13514).

___ (ii) Alternate I (Jun 2014) of 52.223-16.

X (44) 52.223-18, Encouraging Contractor Policies to Ban Text Messaging While Driving (Aug 2011) (E.O. 13513).

___ (45) 52.223-20, Aerosols (June, 2016) (E.O. 13693).

___ (46) 52.223-21, Foams (June, 2016) (E.O. 13693).

___ (47)(i) 52.224-3, Privacy Training (JAN 2017) (5 U.S.C. 552a).

___ (ii) Alternate I (JAN 2017) of 52.224-3.

___ (48) 52.225-1, Buy American--Supplies (May 2014) (41 U.S.C. chapter 83).

___ (49) (i) 52.225-3, Buy American--Free Trade Agreements--Israeli Trade Act (May 2014) (41 U.S.C. chapter 83, 19 U.S.C. 3301 note, 19 U.S.C. 2112 note, 19 U.S.C. 3805 note, 19 U.S.C. 4001 note, Pub. L. 103-182, 108-77, 108-78, 108-286, 108-302, 109-53, 109-169, 109-283, 110-138, 112-41, 112-42, and 112-43.

___ (ii) Alternate I (May 2014) of 52.225-3.

___ (iii) Alternate II (May 2014) of 52.225-3.

___ (iv) Alternate III (May 2014) of 52.225-3.

___ (50) 52.225-5, Trade Agreements (Oct 2016) (19 U.S.C. 2501, et seq., 19 U.S.C. 3301 note).

X (51) 52.225-13, Restrictions on Certain Foreign Purchases (June 2008) (E.O.'s, proclamations, and statutes administered by the Office of Foreign Assets Control of the Department of the Treasury).

___ (52) 52.225-26, Contractors Performing Private Security Functions Outside the United States (Oct 2016) (Section 862, as amended, of the National Defense Authorization Act for Fiscal Year 2008; 10 U.S.C. 2302 Note).

___ (53) 52.226-4, Notice of Disaster or Emergency Area Set-Aside (Nov 2007) (42 U.S.C. 5150)

___ (54) 52.226-5, Restrictions on Subcontracting Outside Disaster or Emergency Area (Nov 2007) (42 U.S.C. 5150).

___ (55) 52.232-29, Terms for Financing of Purchases of Commercial Items (Feb 2002) (41 U.S.C. 4505, 10 U.S.C. 2307(f)).

___ (56) 52.232-30, Installment Payments for Commercial Items (Jan 2017) (41 U.S.C. 4505, 10 U.S.C. 2307(f)).

X (57) 52.232-33, Payment by Electronic Funds Transfer—System for Award Management (July 2013) (31 U.S.C. 3332).

___ (58) 52.232-34, Payment by Electronic Funds Transfer—Other than System for Award Management (July 2013) (31 U.S.C. 3332).

___ (59) 52.232-36, Payment by Third Party (MAY 2014) (31 U.S.C. 3332).

(60) 52.239-1, Privacy or Security Safeguards (Aug 1996) (5 U.S.C. 552a).

(61) 52.242-5, Payments to Small Business Subcontractors (JAN 2017)(15 U.S.C. 637(d)(12)).

(62)(i) 52.247-64, Preference for Privately Owned U.S.-Flag Commercial Vessels (Feb 2006) (46 U.S.C. Appx. 1241(b) and 10 U.S.C. 2631).

(ii) Alternate I (Apr 2003) of 52.247-64.

(c) The Contractor shall comply with the FAR clauses in this paragraph (c), applicable to commercial services, that the Contracting Officer has indicated as being incorporated in this contract by reference to implement provisions of law or Executive orders applicable to acquisitions of commercial items: (Contracting Officer check as appropriate.)

(1) 52.222-17, Nondisplacement of Qualified Workers (May 2014) (E.O. 13495).

(2) 52.222-41, Service Contract Labor Standards (MAY 2014) (41 U.S.C. chapter 67).

(3) 52.222-42, Statement of Equivalent Rates for Federal Hires (MAY 2014) (29 U.S.C. 206 and 41 U.S.C. chapter 67).

(4) 52.222-43, Fair Labor Standards Act and Service Contract Labor Standards--Price Adjustment (Multiple Year and Option Contracts) (MAY 2014) (29 U.S.C. 206 and 41 U.S.C. chapter 67).

(5) 52.222-44, Fair Labor Standards Act and Service Contract Labor Standards--Price Adjustment (MAY 2014) (29 U.S.C. 206 and 41 U.S.C. chapter 67).

(6) 52.222-51, Exemption from Application of the Service Contract Labor Standards to Contracts for Maintenance, Calibration, or Repair of Certain Equipment--Requirements (MAY 2014) (41 U.S.C. chapter 67).

(7) 52.222-53, Exemption from Application of the Service Contract Labor Standards to Contracts for Certain Services--Requirements (MAY 2014) (41 U.S.C. chapter 67).

(8) 52.222-55, Minimum Wages Under Executive Order 13658 (DEC 2015) (E.O. 13658).

(9) 52.222-62, Paid Sick Leave Under Executive Order 13706 (JAN 2017) (E.O. 13706).

(10) 52.226-6, Promoting Excess Food Donation to Nonprofit Organizations (MAY 2014) (42 U.S.C. 1792).

(11) 52.237-11, Accepting and Dispensing of \$1 Coin (Sept 2008) (31 U.S.C. 5112(p)(1)).

(d) Comptroller General Examination of Record. The Contractor shall comply with the provisions of this paragraph (d) if this contract was awarded using other than sealed bid, is in excess of the simplified acquisition threshold, and does not contain the clause at 52.215-2, Audit and Records--Negotiation.

(1) The Comptroller General of the United States, or an authorized representative of the Comptroller General, shall have access to and right to examine any of the Contractor's directly pertinent records involving transactions related to this contract.

(2) The Contractor shall make available at its offices at all reasonable times the records, materials, and other evidence for examination, audit, or reproduction, until 3 years after final payment under this contract or for any shorter period specified in FAR Subpart 4.7, Contractor Records Retention, of the other clauses of this contract. If this contract is completely or partially terminated, the records relating to the work terminated shall be made available for 3 years after any resulting final termination settlement. Records relating to appeals under the disputes

clause or to litigation or the settlement of claims arising under or relating to this contract shall be made available until such appeals, litigation, or claims are finally resolved.

(3) As used in this clause, records include books, documents, accounting procedures and practices, and other data, regardless of type and regardless of form. This does not require the Contractor to create or maintain any record that the Contractor does not maintain in the ordinary course of business or pursuant to a provision of law.

(e) (1) Notwithstanding the requirements of the clauses in paragraphs (a), (b), (c), and (d) of this clause, the Contractor is not required to flow down any FAR clause, other than those in this paragraph (e)(1) in a subcontract for commercial items. Unless otherwise indicated below, the extent of the flow down shall be as required by the clause—

(i) 52.203-13, Contractor Code of Business Ethics and Conduct (Oct 2015) (41 U.S.C. 3509).

(ii) 52.203-19, Prohibition on Requiring Certain Internal Confidentiality Agreements or Statements (JAN 2017) (section 743 of Division E, Title VII, of the Consolidated and Further Continuing Appropriations Act, 2015 (Pub. L. 113-235) and its successor provisions in subsequent appropriations acts (and as extended in continuing resolutions)).

(iii) 52.219-8, Utilization of Small Business Concerns (Nov 2016) (15 U.S.C. 637(d)(2) and (3)), in all subcontracts that offer further subcontracting opportunities. If the subcontract (except subcontracts to small business concerns) exceeds \$700,000 (\$1.5 million for construction of any public facility), the subcontractor must include 52.219-8 in lower tier subcontracts that offer subcontracting opportunities.

(iv) 52.222-17, Nondisplacement of Qualified Workers (MAY 2014) (E.O. 13495). Flow down required in accordance with paragraph (l) of FAR clause 52.222-17.

(v) 52.222-21, Prohibition of Segregated Facilities (Apr 2015).

(vi) 52.222-26, Equal Opportunity (Sept 2016) (E.O. 11246).

(vii) 52.222-35, Equal Opportunity for Veterans (Oct 2015) (38 U.S.C. 4212).

(viii) 52.222-36, Equal Opportunity for Workers with Disabilities (Jul 2014) (29 U.S.C. 793).

(ix) 52.222-37, Employment Reports on Veterans (Feb 2016) (38 U.S.C. 4212).

(x) 52.222-40, Notification of Employee Rights Under the National Labor Relations Act (Dec 2010) (E.O. 13496). Flow down required in accordance with paragraph (f) of FAR clause 52.222-40.

(xi) 52.222-41, Service Contract Labor Standards (May 2014), (41 U.S.C. chapter 67).

(xii) X (A) 52.222-50, Combating Trafficking in Persons (March 2, 2015) (22 U.S.C. chapter 78 and E.O. 13627).

 (B) Alternate I (March 2, 2015) of 52.222-50 (22 U.S.C. chapter 78 and E.O. 13627).

(xiii) 52.222-51, Exemption from Application of the Service Contract Labor Standards to Contracts for Maintenance, Calibration, or Repair of Certain Equipment--Requirements (May 2014) (41 U.S.C. chapter 67.)

(xiv) 52.222-53, Exemption from Application of the Service Contract Labor Standards to Contracts for Certain Services--Requirements (May 2014) (41 U.S.C. chapter 67)

(xv) 52.222-54, Employment Eligibility Verification (Oct 2015) (E. O. 12989).

(xvi) 52.222-55, Minimum Wages Under Executive Order 13658 (Dec 2015) (E.O. 13658).

(xvii) 52.222-59, Compliance with Labor Laws (Executive Order 13673) (OCT 2016) (Applies at \$50 million for solicitations and resultant contracts issued from October 25, 2016 through April 24, 2017; applies at \$500,000 for solicitations and resultant contracts issued after April 24, 2017).

Note to paragraph (e)(1)(xvii): By a court order issued on October 24, 2016, 52.222-59 is enjoined indefinitely as of the date of the order. The enjoined paragraph will become effective immediately if the court terminates the injunction. At that time, DoD, GSA, and NASA will publish a document in the Federal Register advising the public of the termination of the injunction.

(xviii) 52.222-60, Paycheck Transparency (Executive Order 13673) (OCT 2016).

(xix) (A) 52.224-3, Privacy Training (JAN 2017) (5 U.S.C. 552a).

(B) Alternate I (JAN 2017) of 52.224-3.

(xx) 52.222-62 Paid Sick Leave Under Executive Order 13706 (JAN 2017) (E.O. 13706).

(xxi) 52.225-26, Contractors Performing Private Security Functions Outside the United States (Oct 2016) (Section 862, as amended, of the National Defense Authorization Act for Fiscal Year 2008; 10 U.S.C. 2302 Note).

(xxii) 52.226-6, Promoting Excess Food Donation to Nonprofit Organizations. (May 2014) (42 U.S.C. 1792). Flow down required in accordance with paragraph (e) of FAR clause 52.226-6.

(xxiii) 52.247-64, Preference for Privately-Owned U.S. Flag Commercial Vessels (Feb 2006) (46 U.S.C. Appx 1241(b) and 10 U.S.C. 2631). Flow down required in accordance with paragraph (d) of FAR clause 52.247-64.

(2) While not required, the Contractor may include in its subcontracts for commercial items a minimal number of additional clauses necessary to satisfy its contractual obligations.

(End of clause)

52.219-1 SMALL BUSINESS PROGRAM REPRESENTATIONS (OCT 2014) - ALTERNATE I (SEPT 2015)

(a)(1) The North American Industry Classification System (NAICS) code for this acquisition is 541720.

(2) The small business size standard is \$ 20.5 MILLION.

(3) The small business size standard for a concern which submits an offer in its own name, other than on a construction or service contract, but which proposes to furnish a product which it did not itself manufacture, is 500 employees.

(b) Representations. (1) The offeror represents as part of its offer that it (___) is, (___) is not a small business concern.

(2) (Complete only if the offeror represented itself as a small business concern in paragraph (b)(1) of this provision.) The offeror represents, for general statistical purposes, that it (___) is, (___) is not a small disadvantaged business concern as defined in 13 CFR 124.1002.

(3) (Complete only if the offeror represented itself as a small business concern in paragraph (b)(1) of this provision.) The offeror represents as part of its offer that it (___) is, (___) is not a women-owned small business concern.

(4) Women-owned small business (WOSB) concern eligible under the WOSB Program. [Complete only if the offeror represented itself as a women-owned small business concern in paragraph (b)(3) of this provision.] The offeror represents as part of its offer that--

(i) It (___) is, (___) is not a WOSB concern eligible under the WOSB Program, has provided all the required documents to the WOSB Repository, and no change in circumstances or adverse decisions have been issued that affects its eligibility; and

(ii) It [___] is, [___] is not a joint venture that complies with the requirements of 13 CFR part 127, and the representation in paragraph (b)(4)(i) of this provision is accurate for each WOSB concern eligible under the WOSB Program participating in the joint venture. [The offeror shall enter the name or names of the WOSB concern eligible under the WOSB Program and other small businesses that are participating in the joint venture: ---- ___ -----.] Each WOSB concern eligible under the WOSB Program participating in the joint venture shall submit a separate signed copy of the WOSB representation.

(5) Economically disadvantaged women-owned small business (EDWOSB) concern. [Complete only if the offeror represented itself as a women-owned small business concern eligible under the WOSB Program in (b)(4) of this provision.] The offeror represents as part of its offer that--

(i) It (___) is, (___) is not an EDWOSB concern eligible under the WOSB Program, has provided all the required documents to the WOSB Repository, and no change in circumstances or adverse decisions have been issued that affects its eligibility; and

(ii) It [___] is, [___] is not a joint venture that complies with the requirements of 13 CFR part 127, and the representation in paragraph (b)(5)(i) of this provision is accurate for each EDWOSB concern participating in the joint venture. [The offeror shall enter the name or names of the EDWOSB concern and other small businesses that are participating in the joint venture: ---- ___ -----.] Each EDWOSB concern participating in the joint venture shall submit a separate signed copy of the EDWOSB representation.

(6) (Complete only if the offeror represented itself as a small business concern in paragraph (b)(1) of this provision.) The offeror represents as part of its offer that it (___) is, (___) is not a veteran-owned small business concern.

(7) (Complete only if the offeror represented itself as a veteran-owned small business concern in paragraph (b)(6) of this provision.) The offeror represents as part of its offer that it (___) is, (___) is not a service-disabled veteran-owned small business concern.

(8) [Complete only if the offeror represented itself as a small business concern in paragraph (b)(1) of this provision.] The offeror represents, as part of its offer, that--

(i) It (___) is, (___) is not a HUBZone small business concern listed, on the date of this representation, on the List of Qualified HUBZone Small Business Concerns maintained by the Small Business Administration, and no material change in ownership and control, principal office, or HUBZone employee percentage has occurred since it was certified by the Small Business Administration in accordance with 13 CFR part 126; and

(ii) It (___) is, (___) is not a joint venture that complies with the requirements of 13 CFR part 126, and the representation in paragraph (b)(8)(i) of this provision is accurate for the HUBZone small business concern or concerns that are participating in the joint venture. (The offeror shall enter the name or names of the HUBZone

small business concern or concerns that are participating in the joint venture: ____.) Each HUBZone small business concern participating in the joint venture shall submit a separate signed copy of the HUBZone representation.

(9) (Complete if offeror represented itself as disadvantaged in paragraph (c)(2) of this provision.) The offeror shall check the category in which its ownership falls:

Black American.

Hispanic American.

Native American (American Indians, Eskimos, Aleuts, or Native Hawaiians).

Asian-Pacific American (persons with origins from Burma, Thailand, Malaysia, Indonesia, Singapore, Brunei, Japan, China, Taiwan, Laos, Cambodia (Kampuchea), Vietnam, Korea, The Philippines, Republic of Palau, Republic of the Marshall Islands, Federated States of Micronesia, the Commonwealth of the Northern Mariana Islands, Guam, Samoa, Macao, Hong Kong, Fiji, Tonga, Kiribati, Tuvalu, or Nauru).

Subcontinent Asian (Asian-Indian) American (persons with origins from India, Pakistan, Bangladesh, Sri Lanka, Bhutan, the Maldives Islands, or Nepal).

Individual/concern, other than one of the preceding.

(c) Definitions. As used in this provision--

Service-disabled veteran-owned small business concern--

(1) Means a small business concern--

(i) Not less than 51 percent of which is owned by one or more service-disabled veterans or, in the case of any publicly owned business, not less than 51 percent of the stock of which is owned by one or more service-disabled veterans; and

(ii) The management and daily business operations of which are controlled by one or more service-disabled veterans or, in the case of a service-disabled veteran with permanent and severe disability, the spouse or permanent caregiver of such veteran.

(2) Service-disabled veteran means a veteran, as defined in 38 U.S.C. 101(2), with a disability that is service-connected, as defined in 38 U.S.C. 101(16).

"Small business concern," means a concern, including its affiliates, that is independently owned and operated, not dominant in the field of operation in which it is bidding on Government contracts, and qualified as a small business under the criteria in 13 CFR Part 121 and the size standard in paragraph (a) of this provision.

Veteran-owned small business concern means a small business concern--

(1) Not less than 51 percent of which is owned by one or more veterans (as defined at 38 U.S.C. 101(2)) or, in the case of any publicly owned business, not less than 51 percent of the stock of which is owned by one or more veterans; and

(2) The management and daily business operations of which are controlled by one or more veterans.

"Women-owned small business concern," means a small business concern --

(1) That is at least 51 percent owned by one or more women or, in the case of any publicly owned business, at least 51 percent of the stock of which is owned by one or more women; or

(2) Whose management and daily business operations are controlled by one or more women.

(d) Notice.

(1) If this solicitation is for supplies and has been set aside, in whole or in part, for small business concerns, then the clause in this solicitation providing notice of the set-aside contains restrictions on the source of the end items to be furnished.

(2) Under 15 U.S.C. 645(d), any person who misrepresents a firm's status as a small, HUBZone small, small disadvantaged, or women-owned small business concern in order to obtain a contract to be awarded under the preference programs established pursuant to section 8(a), 8(d), 9, or 15 of the Small Business Act or any other provision of Federal law that specifically references section 8(d) for a definition of program eligibility, shall--

(i) Be punished by imposition of fine, imprisonment, or both;

(ii) Be subject to administrative remedies, including suspension and debarment; and

(iii) Be ineligible for participation in programs conducted under the authority of the Act.

(End of provision)

52.223-22 PUBLIC DISCLOSURE OF GREENHOUSE GAS EMISSIONS AND REDUCTION GOALS--
REPRESENTATION (DEC 2016)

(a) This representation shall be completed if the Offeror received \$7.5 million or more in Federal contract awards in the prior Federal fiscal year. The representation is optional if the Offeror received less than \$7.5 million in Federal contract awards in the prior Federal fiscal year.

(b) Representation. [Offeror is to check applicable blocks in paragraphs (b)(1) and (2).]

(1) The Offeror (itself or through its immediate owner or highest-level owner) [___] does, [___] does not publicly disclose greenhouse gas emissions, i.e., make available on a publicly accessible Web site the results of a greenhouse gas inventory, performed in accordance with an accounting standard with publicly available and consistently applied criteria, such as the Greenhouse Gas Protocol Corporate Standard.

(2) The Offeror (itself or through its immediate owner or highest-level owner) [___] does, [___] does not publicly disclose a quantitative greenhouse gas emissions reduction goal, i.e., make available on a publicly available Web site a target to reduce absolute emissions or emissions intensity by a specific quantity or percentage.

(3) A publicly accessible Web site includes the Offeror's own Web site or a recognized, third-party greenhouse gas emissions reporting program.

(c) If the Offeror checked "does" in paragraphs (b)(1) or (b)(2) of this provision, respectively, the Offeror shall provide the publicly accessible Web site(s) where greenhouse gas emissions and/or reduction goals are reported:

___ .

(End of provision)

52.227-5001 PARTICIPATION OF FOREIGN NATIONALS IN USACE CONTRACTS

All contractor employees (U.S. Citizens and Non-U.S. Citizens) working under this contract who require access to Automated Information Systems (AIS), (stand alone computers, network computers/systems, email) shall, at a minimum, be designated into an ADP-III position (non sensitive) in accordance with DoD 5220-22-R, Industrial Security Regulation. The investigative requirements for an ADP – III position are favorable National Agency Check (NAC), SF-85P, Public Trust Position. The contractor shall have each applicable employee complete a SF-85P and submit to the U.S. Army Engineer District, New England, 696 Virginia Road, Concord, MA 01742-2751, Security Officer, within three (3) working days after award of any contract or task order, and shall be submitted prior to the individual being permitted to access AIS. Contractors that have a commercial or government entity (CAGE) Code and Facility Security Clearance through the Defense Security Service shall process the NAC's and forward visit requests/results of NAC to the U.S. Army Engineer District, New England, 696 Virginia Road, Concord, MA 01742-2751 – Security Officer. For those contractors that do not have a Cage Code or Facility Security Clearance, the U.S. Army Engineer District, New England – Bldg 1, 696 Virginia Road, Concord, MA 01742-2751, Security Officer will process the investigation in coordination with the Contractor and contract employees.

In accordance with Engineering Regulation, ER-380-1-18, Section 4, foreign nationals who work on Corps of Engineers' contracts or task orders shall be approved by HQUSACE Foreign Disclosure Officer or higher before beginning work on the contract/task order. This regulation includes subcontractor employees. (NOTE: exceptions to the above requirement include foreign nationals who perform janitorial and/or grounds maintenance services.) The contractor shall submit to the U.S. Army Engineer District, New England, Contracting Division, the names of all foreign nationals proposed for performance under this contract/task order, along with documentation to verify that he/she was legally admitted into the United States and has authority to work and/or go to school in the US. Such documentation may include a U.S. Passport, Certificate of U.S. Citizenship (INS Form N-560 or N-561), Certificate of Naturalization (INS Form N-550 or N-570), foreign passport with I-551 stamp or attached INS Form I-94 indicating employment authorization, Alien Registration Receipt Card with photograph (INS Form I-151 or I-551), Temporary Resident Card (INS Form I-688), Employment Authorization Card (INS Form I-688A), Reentry Permit (INS Form I-327), Refugee Travel Document (INS Form I-571), Employment Authorization Document issued by INS which contains a photograph (INS Form I-688B).

52.252-1 SOLICITATION PROVISIONS INCORPORATED BY REFERENCE (FEB 1998)

This solicitation incorporates one or more solicitation provisions by reference, with the same force and effect as if they were given in full text. Upon request, the Contracting Officer will make their full text available. The offeror is cautioned that the listed provisions may include blocks that must be completed by the offeror and submitted with its quotation or offer. In lieu of submitting the full text of those provisions, the offeror may identify the provision by paragraph identifier and provide the appropriate information with its quotation or offer. Also, the full text of a solicitation provision may be accessed electronically at this/these address(es):

<http://www.acquisition.gov/far/>
<http://farsite.hill.af.mil>

(End of provision)

52.252-2 CLAUSES INCORPORATED BY REFERENCE (FEB 1998)

This contract incorporates one or more clauses by reference, with the same force and effect as if they were given in full text. Upon request, the Contracting Officer will make their full text available. Also, the full text of a clause may be accessed electronically at this/these address(es):

<http://www.acquisition.gov/far/>
<http://farsite.hill.af.mil>

(End of clause)

252.211-7003 ITEM UNIQUE IDENTIFICATION AND VALUATION (MAR 2016)

(a) Definitions. As used in this clause-

Automatic identification device means a device, such as a reader or interrogator, used to retrieve data encoded on machine-readable media.

Concatenated unique item identifier means--

(1) For items that are serialized within the enterprise identifier, the linking together of the unique identifier data elements in order of the issuing agency code, enterprise identifier, and unique serial number within the enterprise identifier; or

(2) For items that are serialized within the original part, lot, or batch number, the linking together of the unique identifier data elements in order of the issuing agency code; enterprise identifier; original part, lot, or batch number; and serial number within the original part, lot, or batch number.

Data Matrix means a two-dimensional matrix symbology, which is made up of square or, in some cases, round modules arranged within a perimeter finder pattern and uses the Error Checking and Correction 200 (ECC200) specification found within International Standards Organization (ISO)/International Electrotechnical Commission (IEC) 16022.

Data qualifier means a specified character (or string of characters) that immediately precedes a data field that defines the general category or intended use of the data that follows.

DoD recognized unique identification equivalent means a unique identification method that is in commercial use and has been recognized by DoD. All DoD recognized unique identification equivalents are listed at http://www.acq.osd.mil/dpap/pdi/uid/iuid_equivalents.html.

DoD item unique identification means a system of marking items delivered to DoD with unique item identifiers that have machine-readable data elements to distinguish an item from all other like and unlike items. For items that are serialized within the enterprise identifier, the unique item identifier shall include the data elements of the enterprise identifier and a unique serial number. For items that are serialized within the part, lot, or batch number within the enterprise identifier, the unique item identifier shall include the data elements of the enterprise identifier; the original part, lot, or batch number; and the serial number.

Enterprise means the entity (e.g., a manufacturer or vendor) responsible for assigning unique item identifiers to items.

Enterprise identifier means a code that is uniquely assigned to an enterprise by an issuing agency.

Government's unit acquisition cost means--

(1) For fixed-price type line, subline, or exhibit line items, the unit price identified in the contract at the time of delivery;

(2) For cost-type or undefinitized line, subline, or exhibit line items, the Contractor's estimated fully burdened unit cost to the Government at the time of delivery; and

(3) For items produced under a time-and-materials contract, the Contractor's estimated fully burdened unit cost to the Government at the time of delivery.

Issuing agency means an organization responsible for assigning a globally unique identifier to an enterprise, as indicated in the Register of Issuing Agency Codes for ISO/IEC 15459, located at http://www.aimglobal.org/?Reg_Authority15459.

Issuing agency code means a code that designates the registration (or controlling) authority for the enterprise identifier.

Item means a single hardware article or a single unit formed by a grouping of subassemblies, components, or constituent parts.

Lot or batch number means an identifying number assigned by the enterprise to a designated group of items, usually referred to as either a lot or a batch, all of which were manufactured under identical conditions.

Machine-readable means an automatic identification technology media, such as bar codes, contact memory buttons, radio frequency identification, or optical memory cards.

Original part number means a combination of numbers or letters assigned by the enterprise at item creation to a class of items with the same form, fit, function, and interface.

Parent item means the item assembly, intermediate component, or subassembly that has an embedded item with a unique item identifier or DoD recognized unique identification equivalent.

Serial number within the enterprise identifier means a combination of numbers, letters, or symbols assigned by the enterprise to an item that provides for the differentiation of that item from any other like and unlike item and is never used again within the enterprise.

Serial number within the part, lot, or batch number means a combination of numbers or letters assigned by the enterprise to an item that provides for the differentiation of that item from any other like item within a part, lot, or batch number assignment.

Serialization within the enterprise identifier means each item produced is assigned a serial number that is unique among all the tangible items produced by the enterprise and is never used again. The enterprise is responsible for ensuring unique serialization within the enterprise identifier.

Serialization within the part, lot, or batch number means each item of a particular part, lot, or batch number is assigned a unique serial number within that part, lot, or batch number assignment. The enterprise is responsible for ensuring unique serialization within the part, lot, or batch number within the enterprise identifier.

Type designation means a combination of letters and numerals assigned by the Government to a major end item, assembly or subassembly, as appropriate, to provide a convenient means of differentiating between items having the same basic name and to indicate modifications and changes thereto.

Unique item identifier means a set of data elements marked on items that is globally unique and unambiguous. The term includes a concatenated unique item identifier or a DoD recognized unique identification equivalent.

Unique item identifier type means a designator to indicate which method of uniquely identifying a part has been used. The current list of accepted unique item identifier types is maintained at http://www.acq.osd.mil/dpap/pdi/uid/uii_types.html.

(b) The Contractor shall deliver all items under a contract line, subline, or exhibit line item.

(c) Unique item identifier. (1) The Contractor shall provide a unique item identifier for the following:

(i) Delivered items for which the Government's unit acquisition cost is \$5,000 or more, except for the following line items:

Contract line, subline, or exhibit line item No.	Item description
.....	

(ii) Items for which the Government's unit acquisition cost is less than \$5,000 that are identified in the Schedule or the following table:

Contract line, subline, or exhibit line item No.	Item description
.....	

(If items are identified in the Schedule, insert "See Schedule" in this table.)

(iii) Subassemblies, components, and parts embedded within delivered items, items with warranty requirements, DoD serially managed reparable and DoD serially managed nonreparable as specified in Attachment Number ----.

(iv) Any item of special tooling or special test equipment as defined in FAR 2.101 that have been designated for preservation and storage for a Major Defense Acquisition Program as specified in Attachment Number ----.

(v) Any item not included in paragraphs (c)(1)(i), (ii), (iii), or

(iv) of this clause for which the contractor creates and marks a unique item identifier for traceability.

(2) The unique item identifier assignment and its component data element combination shall not be duplicated on any other item marked or registered in the DoD Item Unique Identification Registry by the contractor.

(3) The unique item identifier component data elements shall be marked on an item using two dimensional data matrix symbology that complies with ISO/IEC International Standard 16022, Information technology--International symbology specification--Data matrix; ECC200 data matrix specification.

(4) Data syntax and semantics of unique item identifiers. The Contractor shall ensure that--

(i) The data elements (except issuing agency code) of the unique item identifier are encoded within the data matrix symbol that is marked on the item using one of the following three types of data qualifiers, as determined by the Contractor:

(A) Application Identifiers (AIs) (Format Indicator 05 of ISO/IEC International Standard 15434), in accordance with ISO/IEC International Standard 15418, Information Technology--EAN/UCC Application Identifiers and Fact Data Identifiers and Maintenance and ANSI MH 10.8.2 Data Identifier and Application Identifier Standard.

(B) Data Identifiers (DIs) (Format Indicator 06 of ISO/IEC International Standard 15434), in accordance with ISO/IEC International Standard 15418, Information Technology--EAN/UCC Application Identifiers and Fact Data Identifiers and Maintenance and ANSI MH 10.8.2 Data Identifier and Application Identifier Standard.

(C) Text Element Identifiers (TEIs) (Format Indicator 12 of ISO/IEC International Standard 15434), in accordance with the Air Transport Association Common Support Data Dictionary; and

(ii) The encoded data elements of the unique item identifier conform to the transfer structure, syntax, and coding of messages and data formats specified for Format Indicators 05, 06, and 12 in ISO/IEC International Standard 15434, Information Technology-Transfer Syntax for High Capacity Automatic Data Capture Media.

(5) Unique item identifier.

(i) The Contractor shall--

(A) Determine whether to--

(1) Serialize within the enterprise identifier;

(2) Serialize within the part, lot, or batch number; or

(3) Use a DoD recognized unique identification equivalent (e.g. Vehicle Identification Number); and

(B) Place the data elements of the unique item identifier (enterprise identifier; serial number; DoD recognized unique identification equivalent; and for serialization within the part, lot, or batch number only: Original part, lot, or batch number) on items requiring marking by paragraph (c)(1) of this clause, based on the criteria provided in MIL-STD-130, Identification Marking of U.S. Military Property, latest version;

(C) Label shipments, storage containers and packages that contain uniquely identified items in accordance with the requirements of MIL-STD-129, Military Marking for Shipment and Storage, latest version; and

(D) Verify that the marks on items and labels on shipments, storage containers, and packages are machine readable and conform to the applicable standards. The contractor shall use an automatic identification technology device for this verification that has been programmed to the requirements of Appendix A, MIL-STD-130, latest version.

(ii) The issuing agency code--

(A) Shall not be placed on the item; and

(B) Shall be derived from the data qualifier for the enterprise identifier.

(d) For each item that requires item unique identification under paragraph (c)(1)(i), (ii), or (iv) of this clause or when item unique identification is provided under paragraph (c)(1)(v), in addition to the information provided as part of the Material Inspection and Receiving Report specified elsewhere in this contract, the Contractor shall report at the time of delivery, as part of the Material Inspection and Receiving Report, the following information:

(1) Unique item identifier.

(2) Unique item identifier type.

(3) Issuing agency code (if concatenated unique item identifier is used).

(4) Enterprise identifier (if concatenated unique item identifier is used).

(5) Original part number (if there is serialization within the original part number).

(6) Lot or batch number (if there is serialization within the lot or batch number).

- (7) Current part number (optional and only if not the same as the original part number).
- (8) Current part number effective date (optional and only if current part number is used).
- (9) Serial number (if concatenated unique item identifier is used).
- (10) Government's unit acquisition cost.
- (11) Unit of measure.
- (12) Type designation of the item as specified in the contract schedule, if any.
- (13) Whether the item is an item of Special Tooling or Special Test Equipment.
- (14) Whether the item is covered by a warranty.

(e) For embedded subassemblies, components, and parts that require DoD unique item identification under paragraph (c)(1)(iii) of this clause, the Contractor shall report as part of, or associated with, the Material Inspection and Receiving Report specified elsewhere in this contract, the following information:

- (1) Unique item identifier of the parent item under paragraph (c)(1) of this clause that contains the embedded subassembly, component, or part.
- (2) Unique item identifier of the embedded subassembly, component, or part.
- (3) Unique item identifier type.**
- (4) Issuing agency code (if concatenated unique item identifier is used).**
- (5) Enterprise identifier (if concatenated unique item identifier is used).**
- (6) Original part number (if there is serialization within the original part number).**
- (7) Lot or batch number (if there is serialization within the lot or batch number).**
- (8) Current part number (optional and only if not the same as the original part number).**
- (9) Current part number effective date (optional and only if current part number is used).**
- (10) Serial number (if concatenated unique item identifier is used).**
- (11) Description.

** Once per item.

(f) The Contractor shall submit the information required by paragraphs (d) and (e) of this clause as follows:

- (1) [DELETED]
- (2) Embedded items shall be reported by one of the following methods--
 - (i) [DELETED]

(ii) Direct data submission to the IUID Registry following the procedures and formats at <http://dodprocurementtoolbox.com/site/uidregistry/>; or

(iii) [DELETED]

(g) Subcontracts. If the Contractor acquires by subcontract any items for which item unique identification is required in accordance with paragraph (c)(1) of this clause, the Contractor shall include this clause, including this paragraph (g), in the applicable subcontract(s), including subcontracts for commercial items.

(End of clause)

SCA WAGE DETERMINATION

WD 15-4191 (Rev.-4) was first posted on www.wdol.gov on 01/02/2018

REGISTER OF WAGE DETERMINATIONS UNDER		U.S. DEPARTMENT OF LABOR
THE SERVICE CONTRACT ACT		EMPLOYMENT STANDARDS ADMINISTRATION
By direction of the Secretary of Labor		WAGE AND HOUR DIVISION
		WASHINGTON D.C. 20210
		Wage Determination No.: 2015-4191
Daniel W. Simms		Revision No.: 4
Director		Date Of Revision: 12/26/2017

Note: Under Executive Order (EO) 13658, an hourly minimum wage of \$10.35 for calendar year 2018 applies to all contracts subject to the Service Contract Act for which the contract is awarded (and any solicitation was issued) on or after January 1, 2015. If this contract is covered by the EO, the contractor must pay all workers in any classification listed on this wage determination at least \$10.35 per hour (or the applicable wage rate listed on this wage determination, if it is higher) for all hours spent performing on the contract in calendar year 2018. The EO minimum wage rate will be adjusted annually. Additional information on contractor requirements and worker protections under the EO is available at www.dol.gov/whd/govcontracts

State: New Jersey

Area: New Jersey Counties of Burlington, Camden, Gloucester

Fringe Benefits Required Follow the Occupational Listing		
OCCUPATION CODE - TITLE	FOOTNOTE	RATE
01000 - Administrative Support And Clerical Occupations		
01011 - Accounting Clerk I		15.62
01012 - Accounting Clerk II		17.54
01013 - Accounting Clerk III		19.62
01020 - Administrative Assistant		28.49
01035 - Court Reporter		21.74
01041 - Customer Service Representative I		13.93
01042 - Customer Service Representative II		15.65
01043 - Customer Service Representative III		17.08
01051 - Data Entry Operator I		14.22
01052 - Data Entry Operator II		15.51
01060 - Dispatcher, Motor Vehicle		18.63
01070 - Document Preparation Clerk		14.51
01090 - Duplicating Machine Operator		14.51
01111 - General Clerk I		13.54

01112 - General Clerk II	14.78
01113 - General Clerk III	16.59
01120 - Housing Referral Assistant	24.11
01141 - Messenger Courier	14.44
01191 - Order Clerk I	14.90
01192 - Order Clerk II	16.26
01261 - Personnel Assistant (Employment) I	16.64
01262 - Personnel Assistant (Employment) II	18.62
01263 - Personnel Assistant (Employment) III	20.76
01270 - Production Control Clerk	25.39
01290 - Rental Clerk	16.83
01300 - Scheduler, Maintenance	19.12
01311 - Secretary I	19.12
01312 - Secretary II	21.84
01313 - Secretary III	24.11
01320 - Service Order Dispatcher	16.76
01410 - Supply Technician	28.49
01420 - Survey Worker	17.92
01460 - Switchboard Operator/Receptionist	14.72
01531 - Travel Clerk I	13.42
01532 - Travel Clerk II	14.10
01533 - Travel Clerk III	15.03
01611 - Word Processor I	15.91
01612 - Word Processor II	17.86
01613 - Word Processor III	19.98
05000 - Automotive Service Occupations	
05005 - Automobile Body Repairer, Fiberglass	24.99
05010 - Automotive Electrician	22.03
05040 - Automotive Glass Installer	20.96
05070 - Automotive Worker	21.11
05110 - Mobile Equipment Servicer	19.63
05130 - Motor Equipment Metal Mechanic	22.81
05160 - Motor Equipment Metal Worker	21.22
05190 - Motor Vehicle Mechanic	22.83
05220 - Motor Vehicle Mechanic Helper	18.71
05250 - Motor Vehicle Upholstery Worker	20.54
05280 - Motor Vehicle Wrecker	21.22
05310 - Painter, Automotive	22.14
05340 - Radiator Repair Specialist	21.22
05370 - Tire Repairer	14.89
05400 - Transmission Repair Specialist	23.49
07000 - Food Preparation And Service Occupations	
07010 - Baker	13.05
07041 - Cook I	12.99
07042 - Cook II	13.84
07070 - Dishwasher	9.76
07130 - Food Service Worker	11.55
07210 - Meat Cutter	20.93
07260 - Waiter/Waitress	10.95
09000 - Furniture Maintenance And Repair Occupations	
09010 - Electrostatic Spray Painter	19.40
09040 - Furniture Handler	17.39
09080 - Furniture Refinisher	22.85
09090 - Furniture Refinisher Helper	19.50
09110 - Furniture Repairer, Minor	21.21
09130 - Upholsterer	19.41
11000 - General Services And Support Occupations	
11030 - Cleaner, Vehicles	12.81
11060 - Elevator Operator	13.49
11090 - Gardener	16.09
11122 - Housekeeping Aide	13.49
11150 - Janitor	13.49

11210 - Laborer, Grounds Maintenance	13.67
11240 - Maid or Houseman	11.29
11260 - Pruner	12.83
11270 - Tractor Operator	15.33
11330 - Trail Maintenance Worker	13.76
11360 - Window Cleaner	14.38
12000 - Health Occupations	
12010 - Ambulance Driver	17.48
12011 - Breath Alcohol Technician	22.50
12012 - Certified Occupational Therapist Assistant	27.72
12015 - Certified Physical Therapist Assistant	27.35
12020 - Dental Assistant	20.20
12025 - Dental Hygienist	37.69
12030 - EKG Technician	35.61
12035 - Electroneurodiagnostic Technologist	35.61
12040 - Emergency Medical Technician	17.48
12071 - Licensed Practical Nurse I	20.15
12072 - Licensed Practical Nurse II	22.50
12073 - Licensed Practical Nurse III	25.09
12100 - Medical Assistant	16.50
12130 - Medical Laboratory Technician	25.62
12160 - Medical Record Clerk	18.72
12190 - Medical Record Technician	20.57
12195 - Medical Transcriptionist	18.72
12210 - Nuclear Medicine Technologist	38.64
12221 - Nursing Assistant I	11.36
12222 - Nursing Assistant II	12.76
12223 - Nursing Assistant III	13.93
12224 - Nursing Assistant IV	15.63
12235 - Optical Dispenser	26.16
12236 - Optical Technician	18.26
12250 - Pharmacy Technician	15.13
12280 - Phlebotomist	17.53
12305 - Radiologic Technologist	31.96
12311 - Registered Nurse I	29.51
12312 - Registered Nurse II	32.76
12313 - Registered Nurse II, Specialist	32.76
12314 - Registered Nurse III	39.32
12315 - Registered Nurse III, Anesthetist	39.32
12316 - Registered Nurse IV	47.11
12317 - Scheduler (Drug and Alcohol Testing)	27.88
12320 - Substance Abuse Treatment Counselor	22.23
13000 - Information And Arts Occupations	
13011 - Exhibits Specialist I	21.74
13012 - Exhibits Specialist II	28.77
13013 - Exhibits Specialist III	35.16
13041 - Illustrator I	22.94
13042 - Illustrator II	30.61
13043 - Illustrator III	37.43
13047 - Librarian	31.00
13050 - Library Aide/Clerk	16.83
13054 - Library Information Technology Systems Administrator	27.98
13058 - Library Technician	17.62
13061 - Media Specialist I	19.36
13062 - Media Specialist II	21.66
13063 - Media Specialist III	24.16
13071 - Photographer I	17.96
13072 - Photographer II	19.97
13073 - Photographer III	25.04
13074 - Photographer IV	30.62
13075 - Photographer V	37.06

13090 - Technical Order Library Clerk	16.83
13110 - Video Teleconference Technician	22.29
14000 - Information Technology Occupations	
14041 - Computer Operator I	18.50
14042 - Computer Operator II	20.70
14043 - Computer Operator III	23.06
14044 - Computer Operator IV	25.64
14045 - Computer Operator V	28.39
14071 - Computer Programmer I	(see 1)
14072 - Computer Programmer II	(see 1)
14073 - Computer Programmer III	(see 1)
14074 - Computer Programmer IV	(see 1)
14101 - Computer Systems Analyst I	(see 1)
14102 - Computer Systems Analyst II	(see 1)
14103 - Computer Systems Analyst III	(see 1)
14150 - Peripheral Equipment Operator	18.50
14160 - Personal Computer Support Technician	25.64
14170 - System Support Specialist	34.68
15000 - Instructional Occupations	
15010 - Aircrew Training Devices Instructor (Non-Rated)	33.14
15020 - Aircrew Training Devices Instructor (Rated)	40.11
15030 - Air Crew Training Devices Instructor (Pilot)	48.06
15050 - Computer Based Training Specialist / Instructor	33.14
15060 - Educational Technologist	34.69
15070 - Flight Instructor (Pilot)	48.06
15080 - Graphic Artist	24.99
15085 - Maintenance Test Pilot, Fixed, Jet/Prop	41.10
15086 - Maintenance Test Pilot, Rotary Wing	41.10
15088 - Non-Maintenance Test/Co-Pilot	41.10
15090 - Technical Instructor	24.90
15095 - Technical Instructor/Course Developer	30.45
15110 - Test Proctor	20.09
15120 - Tutor	20.09
16000 - Laundry, Dry-Cleaning, Pressing And Related Occupations	
16010 - Assembler	10.53
16030 - Counter Attendant	10.53
16040 - Dry Cleaner	13.29
16070 - Finisher, Flatwork, Machine	10.53
16090 - Presser, Hand	10.53
16110 - Presser, Machine, Drycleaning	10.53
16130 - Presser, Machine, Shirts	10.53
16160 - Presser, Machine, Wearing Apparel, Laundry	10.53
16190 - Sewing Machine Operator	14.24
16220 - Tailor	15.18
16250 - Washer, Machine	11.46
19000 - Machine Tool Operation And Repair Occupations	
19010 - Machine-Tool Operator (Tool Room)	22.26
19040 - Tool And Die Maker	25.81
21000 - Materials Handling And Packing Occupations	
21020 - Forklift Operator	19.21
21030 - Material Coordinator	25.30
21040 - Material Expediter	25.30
21050 - Material Handling Laborer	14.23
21071 - Order Filler	13.88
21080 - Production Line Worker (Food Processing)	19.21
21110 - Shipping Packer	17.04
21130 - Shipping/Receiving Clerk	17.04
21140 - Store Worker I	16.93
21150 - Stock Clerk	20.25
21210 - Tools And Parts Attendant	19.21
21410 - Warehouse Specialist	19.21
23000 - Mechanics And Maintenance And Repair Occupations	

23010 - Aerospace Structural Welder	30.45
23019 - Aircraft Logs and Records Technician	26.27
23021 - Aircraft Mechanic I	29.30
23022 - Aircraft Mechanic II	30.45
23023 - Aircraft Mechanic III	31.42
23040 - Aircraft Mechanic Helper	24.16
23050 - Aircraft, Painter	26.21
23060 - Aircraft Servicer	26.27
23070 - Aircraft Survival Flight Equipment Technician	26.21
23080 - Aircraft Worker	27.31
23091 - Aircrew Life Support Equipment (ALSE) Mechanic I	27.31
23092 - Aircrew Life Support Equipment (ALSE) Mechanic II	29.30
23110 - Appliance Mechanic	25.42
23120 - Bicycle Repairer	18.28
23125 - Cable Splicer	40.56
23130 - Carpenter, Maintenance	24.40
23140 - Carpet Layer	27.31
23160 - Electrician, Maintenance	30.22
23181 - Electronics Technician Maintenance I	26.13
23182 - Electronics Technician Maintenance II	27.08
23183 - Electronics Technician Maintenance III	28.04
23260 - Fabric Worker	24.94
23290 - Fire Alarm System Mechanic	25.94
23310 - Fire Extinguisher Repairer	24.10
23311 - Fuel Distribution System Mechanic	29.30
23312 - Fuel Distribution System Operator	25.31
23370 - General Maintenance Worker	21.37
23380 - Ground Support Equipment Mechanic	29.30
23381 - Ground Support Equipment Servicer	26.27
23382 - Ground Support Equipment Worker	27.31
23391 - Gunsmith I	24.10
23392 - Gunsmith II	26.00
23393 - Gunsmith III	27.90
23410 - Heating, Ventilation And Air-Conditioning Mechanic	26.57
23411 - Heating, Ventilation And Air Contidioning Mechanic (Research Facility)	27.61
23430 - Heavy Equipment Mechanic	27.77
23440 - Heavy Equipment Operator	31.03
23460 - Instrument Mechanic	30.28
23465 - Laboratory/Shelter Mechanic	26.95
23470 - Laborer	15.83
23510 - Locksmith	25.18
23530 - Machinery Maintenance Mechanic	25.16
23550 - Machinist, Maintenance	23.43
23580 - Maintenance Trades Helper	18.52
23591 - Metrology Technician I	30.28
23592 - Metrology Technician II	31.47
23593 - Metrology Technician III	32.46
23640 - Millwright	27.82
23710 - Office Appliance Repairer	23.06
23760 - Painter, Maintenance	22.33
23790 - Pipefitter, Maintenance	30.24
23810 - Plumber, Maintenance	26.96
23820 - Pneudraulic Systems Mechanic	27.90
23850 - Rigger	27.90
23870 - Scale Mechanic	26.00
23890 - Sheet-Metal Worker, Maintenance	29.16
23910 - Small Engine Mechanic	20.67
23931 - Telecommunications Mechanic I	25.91

23932 - Telecommunications Mechanic II	26.92
23950 - Telephone Lineman	31.12
23960 - Welder, Combination, Maintenance	21.43
23965 - Well Driller	23.91
23970 - Woodcraft Worker	27.90
23980 - Woodworker	23.16
24000 - Personal Needs Occupations	
24550 - Case Manager	15.67
24570 - Child Care Attendant	12.00
24580 - Child Care Center Clerk	14.96
24610 - Chore Aide	11.82
24620 - Family Readiness And Support Services Coordinator	15.67
24630 - Homemaker	15.67
25000 - Plant And System Operations Occupations	
25010 - Boiler Tender	27.16
25040 - Sewage Plant Operator	25.68
25070 - Stationary Engineer	27.16
25190 - Ventilation Equipment Tender	22.40
25210 - Water Treatment Plant Operator	25.68
27000 - Protective Service Occupations	
27004 - Alarm Monitor	22.98
27007 - Baggage Inspector	13.48
27008 - Corrections Officer	29.39
27010 - Court Security Officer	33.52
27030 - Detection Dog Handler	18.81
27040 - Detention Officer	29.39
27070 - Firefighter	29.98
27101 - Guard I	13.48
27102 - Guard II	18.81
27131 - Police Officer I	32.16
27132 - Police Officer II	35.73
28000 - Recreation Occupations	
28041 - Carnival Equipment Operator	11.46
28042 - Carnival Equipment Repairer	12.02
28043 - Carnival Worker	9.59
28210 - Gate Attendant/Gate Tender	16.04
28310 - Lifeguard	12.78
28350 - Park Attendant (Aide)	17.94
28510 - Recreation Aide/Health Facility Attendant	11.68
28515 - Recreation Specialist	22.22
28630 - Sports Official	14.29
28690 - Swimming Pool Operator	17.23
29000 - Stevedoring/Longshoremen Occupational Services	
29010 - Blocker And Bracer	27.18
29020 - Hatch Tender	27.18
29030 - Line Handler	27.18
29041 - Stevedore I	26.15
29042 - Stevedore II	28.17
30000 - Technical Occupations	
30010 - Air Traffic Control Specialist, Center (HFO) (see 2)	40.39
30011 - Air Traffic Control Specialist, Station (HFO) (see 2)	27.86
30012 - Air Traffic Control Specialist, Terminal (HFO) (see 2)	30.67
30021 - Archeological Technician I	20.33
30022 - Archeological Technician II	22.75
30023 - Archeological Technician III	28.18
30030 - Cartographic Technician	28.27
30040 - Civil Engineering Technician	27.72
30051 - Cryogenic Technician I	30.95
30052 - Cryogenic Technician II	34.19
30061 - Drafter/CAD Operator I	20.33
30062 - Drafter/CAD Operator II	22.75

30063 - Drafter/CAD Operator III	25.36
30064 - Drafter/CAD Operator IV	31.21
30081 - Engineering Technician I	18.23
30082 - Engineering Technician II	20.47
30083 - Engineering Technician III	23.23
30084 - Engineering Technician IV	28.83
30085 - Engineering Technician V	35.18
30086 - Engineering Technician VI	42.58
30090 - Environmental Technician	23.64
30095 - Evidence Control Specialist	27.95
30210 - Laboratory Technician	25.35
30221 - Latent Fingerprint Technician I	30.95
30222 - Latent Fingerprint Technician II	34.19
30240 - Mathematical Technician	28.18
30361 - Paralegal/Legal Assistant I	20.33
30362 - Paralegal/Legal Assistant II	25.19
30363 - Paralegal/Legal Assistant III	30.81
30364 - Paralegal/Legal Assistant IV	37.27
30375 - Petroleum Supply Specialist	34.19
30390 - Photo-Optics Technician	28.18
30395 - Radiation Control Technician	34.19
30461 - Technical Writer I	23.94
30462 - Technical Writer II	29.28
30463 - Technical Writer III	37.10
30491 - Unexploded Ordnance (UXO) Technician I	25.67
30492 - Unexploded Ordnance (UXO) Technician II	31.06
30493 - Unexploded Ordnance (UXO) Technician III	37.23
30494 - Unexploded (UXO) Safety Escort	25.67
30495 - Unexploded (UXO) Sweep Personnel	25.67
30501 - Weather Forecaster I	30.95
30502 - Weather Forecaster II	37.65
30620 - Weather Observer, Combined Upper Air Or Surface Programs	(see 2) 25.36
30621 - Weather Observer, Senior	(see 2) 28.18
31000 - Transportation/Mobile Equipment Operation Occupations	
31010 - Airplane Pilot	31.06
31020 - Bus Aide	16.44
31030 - Bus Driver	20.03
31043 - Driver Courier	18.13
31260 - Parking and Lot Attendant	10.54
31290 - Shuttle Bus Driver	19.00
31310 - Taxi Driver	13.03
31361 - Truckdriver, Light	19.00
31362 - Truckdriver, Medium	19.28
31363 - Truckdriver, Heavy	22.39
31364 - Truckdriver, Tractor-Trailer	22.39
99000 - Miscellaneous Occupations	
99020 - Cabin Safety Specialist	15.14
99030 - Cashier	11.80
99050 - Desk Clerk	12.64
99095 - Embalmer	34.20
99130 - Flight Follower	25.67
99251 - Laboratory Animal Caretaker I	12.63
99252 - Laboratory Animal Caretaker II	13.48
99260 - Marketing Analyst	28.02
99310 - Mortician	34.20
99410 - Pest Controller	18.72
99510 - Photofinishing Worker	14.65
99710 - Recycling Laborer	18.72
99711 - Recycling Specialist	21.14
99730 - Refuse Collector	17.57
99810 - Sales Clerk	12.43

99820 - School Crossing Guard	13.27
99830 - Survey Party Chief	24.81
99831 - Surveying Aide	14.72
99832 - Surveying Technician	21.76
99840 - Vending Machine Attendant	16.35
99841 - Vending Machine Repairer	18.68
99842 - Vending Machine Repairer Helper	16.35

Note: Executive Order (EO) 13706, Establishing Paid Sick Leave for Federal Contractors, applies to all contracts subject to the Service Contract Act for which the contract is awarded (and any solicitation was issued) on or after January 1, 2017. If this contract is covered by the EO, the contractor must provide employees with 1 hour of paid sick leave for every 30 hours they work, up to 56 hours of paid sick leave each year. Employees must be permitted to use paid sick leave for their own illness, injury or other health-related needs, including preventive care; to assist a family member (or person who is like family to the employee) who is ill, injured, or has other health-related needs, including preventive care; or for reasons resulting from, or to assist a family member (or person who is like family to the employee) who is the victim of, domestic violence, sexual assault, or stalking. Additional information on contractor requirements and worker protections under the EO is available at www.dol.gov/whd/govcontracts.

ALL OCCUPATIONS LISTED ABOVE RECEIVE THE FOLLOWING BENEFITS:

HEALTH & WELFARE: \$4.41 per hour or \$176.40 per week or \$764.40 per month

HEALTH & WELFARE EO 13706: \$4.13 per hour, or \$165.20 per week, or \$715.87 per month

VACATION: 2 weeks paid vacation after 1 year of service with a contractor or successor, 3 weeks after 8 years, and 4 weeks after 15 years. Length of service includes the whole span of continuous service with the present contractor or successor, wherever employed, and with the predecessor contractors in the performance of similar work at the same Federal facility. (See 29 CFR 4.173)

HOLIDAYS: A minimum of ten paid holidays per year: New Year's Day, Martin Luther King Jr.'s Birthday, Washington's Birthday, Memorial Day, Independence Day, Labor Day, Columbus Day, Veterans' Day, Thanksgiving Day, and Christmas Day. (A contractor may substitute for any of the named holidays another day off with pay in accordance with a plan communicated to the employees involved.) (See 29 CFR 4.174)

THE OCCUPATIONS WHICH HAVE NUMBERED FOOTNOTES IN PARENTHESES RECEIVE THE FOLLOWING:

1) COMPUTER EMPLOYEES: Under the SCA at section 8(b), this wage determination does not apply to any employee who individually qualifies as a bona fide executive, administrative, or professional employee as defined in 29 C.F.R. Part 541. Because most Computer System Analysts and Computer Programmers who are compensated at a rate not less than \$27.63 (or on a salary or fee basis at a rate not less than \$455 per week) an hour would likely qualify as exempt computer professionals, (29 C.F.R. 541.400) wage rates may not be listed on this wage determination for all occupations within those job families. In addition, because this wage determination may not list a wage rate for some or all occupations within those job families if the survey data indicates that the prevailing wage rate for the occupation equals or exceeds \$27.63 per hour conformances may be necessary for certain nonexempt employees. For example, if an individual employee is nonexempt but nevertheless performs duties within the scope of one of the Computer Systems Analyst or Computer Programmer occupations for which this wage determination does not specify an SCA wage rate,

then the wage rate for that employee must be conformed in accordance with the conformance procedures described in the conformance note included on this wage determination.

Additionally, because job titles vary widely and change quickly in the computer industry, job titles are not determinative of the application of the computer professional exemption. Therefore, the exemption applies only to computer employees who satisfy the compensation requirements and whose primary duty consists of:

(1) The application of systems analysis techniques and procedures, including consulting with users, to determine hardware, software or system functional specifications;

(2) The design, development, documentation, analysis, creation, testing or modification of computer systems or programs, including prototypes, based on and related to user or system design specifications;

(3) The design, documentation, testing, creation or modification of computer programs related to machine operating systems; or

(4) A combination of the aforementioned duties, the performance of which requires the same level of skills. (29 C.F.R. 541.400).

2) AIR TRAFFIC CONTROLLERS AND WEATHER OBSERVERS - NIGHT PAY & SUNDAY PAY: If you work at night as part of a regular tour of duty, you will earn a night differential and receive an additional 10% of basic pay for any hours worked between 6pm and 6am. If you are a full-time employed (40 hours a week) and Sunday is part of your regularly scheduled workweek, you are paid at your rate of basic pay plus a Sunday premium of 25% of your basic rate for each hour of Sunday work which is not overtime (i.e. occasional work on Sunday outside the normal tour of duty is considered overtime work).

**** HAZARDOUS PAY DIFFERENTIAL ****

An 8 percent differential is applicable to employees employed in a position that represents a high degree of hazard when working with or in close proximity to ordnance, explosives, and incendiary materials. This includes work such as screening, blending, dying, mixing, and pressing of sensitive ordnance, explosives, and pyrotechnic compositions such as lead azide, black powder and photoflash powder.

All dry-house activities involving propellants or explosives. Demilitarization, modification, renovation, demolition, and maintenance operations on sensitive ordnance, explosives and incendiary materials. All operations involving re-grading and cleaning of artillery ranges.

A 4 percent differential is applicable to employees employed in a position that represents a low degree of hazard when working with, or in close proximity to ordnance, (or employees possibly adjacent to) explosives and incendiary materials which involves potential injury such as laceration of hands, face, or arms of the employee engaged in the operation, irritation of the skin, minor burns and the like; minimal damage to immediate or adjacent work area or equipment being used. All operations involving, unloading, storage, and hauling of ordnance, explosive, and incendiary ordnance material other than small arms ammunition. These differentials are only applicable to work that has been specifically designated by the agency for ordnance, explosives, and incendiary material differential pay.

**** UNIFORM ALLOWANCE ****

If employees are required to wear uniforms in the performance of this contract (either by the terms of the Government contract, by the employer, by the state or local law, etc.), the cost of furnishing such uniforms and maintaining (by laundering or dry cleaning) such uniforms is an expense that may not be borne by an employee where such cost reduces the hourly rate below that required by the wage determination. The Department of Labor will accept payment in accordance with the following standards as compliance:

The contractor or subcontractor is required to furnish all employees with an adequate number of uniforms without cost or to reimburse employees for the actual cost of the uniforms. In addition, where uniform cleaning and maintenance is made the responsibility of the employee, all contractors and subcontractors subject to this wage determination shall (in the absence of a bona fide collective bargaining agreement providing for a different amount, or the furnishing of contrary affirmative proof as to the actual cost), reimburse all employees for such cleaning and maintenance at a rate of \$3.35 per week (or \$.67 cents per day). However, in those instances where the uniforms furnished are made of "wash and wear" materials, may be routinely washed and dried with other personal garments, and do not require any special treatment such as dry cleaning, daily washing, or commercial laundering in order to meet the cleanliness or appearance standards set by the terms of the Government contract, by the contractor, by law, or by the nature of the work, there is no requirement that employees be reimbursed for uniform maintenance costs.

** SERVICE CONTRACT ACT DIRECTORY OF OCCUPATIONS **

The duties of employees under job titles listed are those described in the "Service Contract Act Directory of Occupations", Fifth Edition (Revision 1), dated September 2015, unless otherwise indicated.

** REQUEST FOR AUTHORIZATION OF ADDITIONAL CLASSIFICATION AND WAGE RATE, Standard Form 1444 (SF-1444) **

Conformance Process:

The contracting officer shall require that any class of service employee which is not listed herein and which is to be employed under the contract (i.e., the work to be performed is not performed by any classification listed in the wage determination), be classified by the contractor so as to provide a reasonable relationship (i.e., appropriate level of skill comparison) between such unlisted classifications and the classifications listed in the wage determination (See 29 CFR 4.6(b)(2)(i)). Such conforming procedures shall be initiated by the contractor prior to the performance of contract work by such unlisted class(es) of employees (See 29 CFR 4.6(b)(2)(ii)). The Wage and Hour Division shall make a final determination of conformed classification, wage rate, and/or fringe benefits which shall be paid to all employees performing in the classification from the first day of work on which contract work is performed by them in the classification. Failure to pay such unlisted employees the compensation agreed upon by the interested parties and/or fully determined by the Wage and Hour Division retroactive to the date such class of employees commenced contract work shall be a violation of the Act and this contract. (See 29 CFR 4.6(b)(2)(v)). When multiple wage determinations are included in a contract, a separate SF-1444 should be prepared for each wage determination to which a class(es) is to be conformed.

The process for preparing a conformance request is as follows:

- 1) When preparing the bid, the contractor identifies the need for a conformed occupation(s) and computes a proposed rate(s).
- 2) After contract award, the contractor prepares a written report listing in order the proposed classification title(s), a Federal grade equivalency (FGE) for each proposed classification(s), job description(s), and rationale for proposed wage rate(s), including information regarding the agreement or disagreement of the authorized representative of the employees involved, or where there is no authorized representative, the employees themselves. This report should be submitted to the contracting officer no later than 30 days after such unlisted class(es) of employees performs any contract work.
- 3) The contracting officer reviews the proposed action and promptly submits a report of the action, together with the agency's recommendations and pertinent information including the position of the contractor and the employees, to the U.S.

Department of Labor, Wage and Hour Division, for review (See 29 CFR 4.6(b)(2)(ii)).

4) Within 30 days of receipt, the Wage and Hour Division approves, modifies, or disapproves the action via transmittal to the agency contracting officer, or notifies the contracting officer that additional time will be required to process the request.

5) The contracting officer transmits the Wage and Hour Division's decision to the contractor.

6) Each affected employee shall be furnished by the contractor with a written copy of such determination or it shall be posted as a part of the wage determination (See 29 CFR 4.6(b)(2)(iii)).

Information required by the Regulations must be submitted on SF-1444 or bond paper.

When preparing a conformance request, the "Service Contract Act Directory of Occupations" should be used to compare job definitions to ensure that duties requested are not performed by a classification already listed in the wage determination. Remember, it is not the job title, but the required tasks that determine whether a class is included in an established wage determination. Conformances may not be used to artificially split, combine, or subdivide classifications listed in the wage determination (See 29 CFR 4.152(c)(1)).