



**US Army Corps  
of Engineers**®  
New England District  
696 Virginia Road  
Concord, MA 01742-2751

# PUBLIC NOTICE

**Comment Period Begins: January 20, 2015**  
**Comment Period Ends: February 20, 2015**  
**File Number: NAE-2014-2634**  
**In Reply Refer To: Michael J. Elliott**  
**Phone: (978) 318-8131**  
**E-mail: michael.j.elliott@usace.army.mil**

The District Engineer has received a permit application to conduct work in waters of the United States from **Centerville Builders, Inc. - 164 Centerville Road, Warwick, Rhode Island 02886**. This work is proposed in Pawtuxet Cove at the eastern end of Naushon Avenue in Warwick, Rhode Island. The site coordinates are Latitude N 41.756; Longitude W -71.386.

The proposed project includes the construction of a new 6 slip boating facility called Pawtuxet by the Sea. The 6 new slips are associated with 6 condominiums in the upland. Work will involve dredging approximately 1325 cubic yards (CY) of material plus installation of a pier, ramp and float system to dock 6 boats.

Approximately 1325 CY will be dredged from an approximately 9000 square foot area to a depth of -5' at mean low water. The material will be dredged using a barge-mounted crane with a clamshell bucket. It will be loaded into a scow and towed to a Confined Aquatic Disposal (CAD) cell located in the Providence River. The dredged material has undergone physical and chemical analysis. It is our preliminary determination that the material is acceptable for disposal at this disposal site.

Existing stairs leading down the bank to Pawtuxet Cove will be replaced. The stairs will lead to a new 5' x 60' pier. A 5' x 28' ramp will lead from the pier to a 5' x 114' main float. Extending seaward (east) from this main float are three 4' x 40' finger floats. All the floats are pile-secured.

The work is shown on the attached plans titled "PROPOSED 6 SLIP LIMITED MARINA & DREDGE PAWTUXET BY THE SEA CENTERVILLE BUIDERS INC." dated "DEC 4, 2014."

## **AUTHORITY**

Permits are required pursuant to:

- Section 10 of the Rivers and Harbors Act of 1899
- Section 404 of the Clean Water Act
- Section 103 of the Marine Protection, Research and Sanctuaries Act).

The decision whether to issue a permit will be based on an evaluation of the probable impact of the proposed activity on the public interest. That decision will reflect the national concern for both protection and utilization of important resources. The benefit which may reasonably accrue from the proposal must be balanced against its reasonably foreseeable detriments. All factors which may be relevant to the proposal will be considered, including the cumulative effects thereof; among those are: conservation, economics, aesthetics, general environmental concerns, wetlands, cultural value, fish and wildlife values, flood hazards, flood plain value, land use, navigation, shoreline erosion and accretion, recreation, water supply and conservation, water quality, energy needs, safety, food production and, in general, the needs and welfare of the people.

**CENAE-R**  
**FILE NO. NAE-2014-2634**

The Corps of Engineers is soliciting comments from the public; Federal, state, and local agencies and officials; Indian Tribes; and other interested parties in order to consider and evaluate the impacts of this proposed activity. Any comments received will be considered by the Corps of Engineers to determine whether to issue, modify, condition or deny a permit for this proposal. To make this decision, comments are used to assess impacts on endangered species, historic properties, water quality, general environmental effects, and the other public interest factors listed above. Comments are used in the preparation of an Environmental Assessment and/or an Environmental Impact Statement pursuant to the National Environmental Policy Act. Comments are also used to determine the need for a public hearing and to determine the overall public interest of the proposed activity.

**ESSENTIAL FISH HABITAT**

The Magnuson-Stevens Fishery Conservation and Management Act, as amended by the Sustainable Fisheries Act of 1996 (Public Law 104-267), requires all federal agencies to consult with the National Marine Fisheries Service on all actions, or proposed actions, permitted, funded, or undertaken by the agency, that may adversely affect Essential Fish Habitat (EFH).

The dredging portion of this project will impact approximately 0.2 acres of Essential Fish Habitat (EFH) for those species listed on the attached EFH table. Habitat at this site can be described as a mixture of sands and silts. Loss of this habitat from may adversely affect some of the species listed on the attached table. However, the District Engineer has made a preliminary determination that the site-specific adverse effect will not be substantial. Further consultation with the National Marine Fisheries Service regarding EFH conservation recommendations is being conducted and will be concluded prior to the final decision.

**SECTION 106 COORDINATION**

Based on his initial review, the District Engineer has determined that little likelihood exists for the proposed work to impinge upon properties with cultural or Native American significance, or listed in, or eligible for listing in, the National Register of Historic Places. Therefore, no further consideration of the requirements of Section 106 of the National Historic Preservation Act of 1966, as amended, is necessary. This determination is based upon one or more of the following:

- a. The permit area has been extensively modified by previous work.
- b. The permit area has been recently created.
- c. The proposed activity is of limited nature and scope.
- d. Review of the latest published version of the National Register shows that no presence of registered properties listed as being eligible for inclusion therein are in the permit area or general vicinity.
- e. Coordination with the State Historic Preservation Officer and/or Tribal Historic Preservation Officer(s)

The States of Connecticut, Maine, Massachusetts, New Hampshire and Rhode Island have approved **Coastal Zone Management Programs**. Where applicable the applicant states that any proposed activity will comply with and will be conducted in a manner that is consistent with the approved Coastal Zone Management Program. By this Public Notice, we are requesting the State concurrence or objection to the applicant's consistency statement.

**CENAE-R**  
**FILE NO. NAE-2014-2634**

The following authorizations have been applied for, or have been, or will be obtained:

- Permit, License or Assent from State.
- Permit from Local Wetland Agency or Conservation Commission.
- Water Quality Certification in accordance with Section 401 of the Clean Water Act.

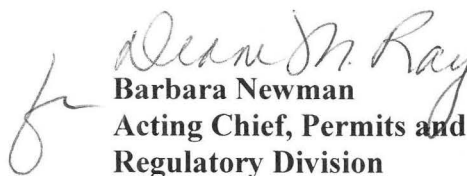
In order to properly evaluate the proposal, we are seeking public comment. Anyone wishing to comment is encouraged to do so. **Comments should be submitted in writing by the above date.** If you have any questions, please contact Michael J. Elliott at (978) 318-8131, (800) 343-4789 or (800) 362-4367, if calling from within Massachusetts.

Any person may request, in writing, within the comment period specified in this notice, that a public hearing be held to consider the application. Requests for a public hearing shall specifically state the reasons for holding a public hearing. The Corps holds public hearings for the purpose of obtaining public comments when that is the best means for understanding a wide variety of concerns from a diverse segment of the public.

The initial determinations made herein will be reviewed in light of facts submitted in response to this notice. All comments will be considered a matter of public record. Copies of letters of objection will be forwarded to the applicant who will normally be requested to contact objectors directly in an effort to reach an understanding.

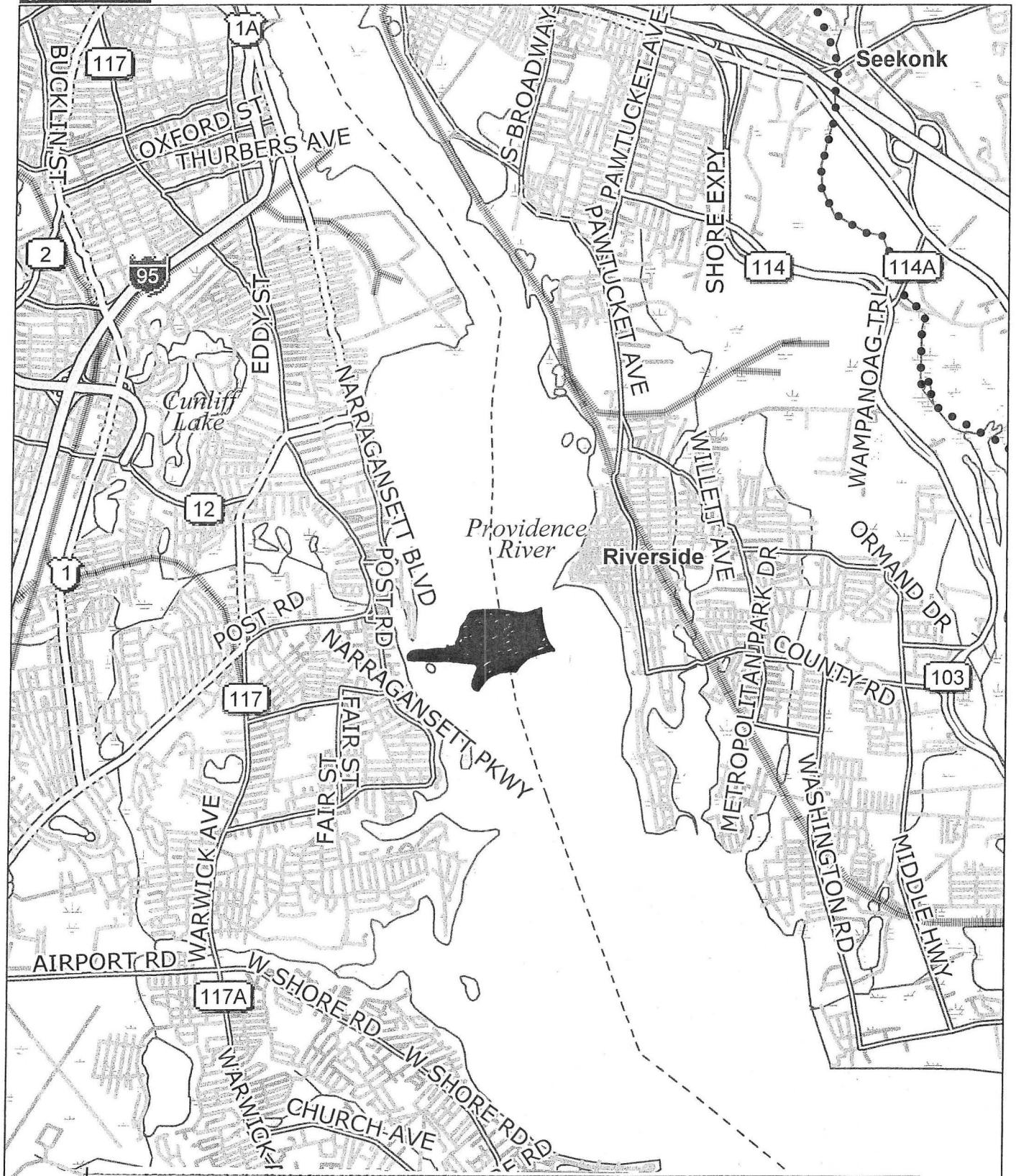
In accordance with 33 CFR 325.2(a)(8), we publish monthly a list of permits issued or denied during the previous month at [www.nae.usace.army.mil/reg](http://www.nae.usace.army.mil/reg), under the heading "Monthly General and Individual Permit Authorizations." Relevant environmental documents and the SOFs or RODs are available upon written request and, where applicable, upon the payment of administrative fees. Also visit [www.nae.usace.army.mil](http://www.nae.usace.army.mil) for more information on the New England District Corps of Engineers programs.

**THIS NOTICE IS NOT AN AUTHORIZATION TO DO ANY WORK.**

  
**Barbara Newman**  
**Acting Chief, Permits and Enforcement Branch**  
**Regulatory Division**

If you would prefer not to continue receiving Public Notices, please contact Ms. Tina Chaisson at (978) 318-8058 or e-mail her at [bettina.m.chaisson@usace.army.mil](mailto:bettina.m.chaisson@usace.army.mil). You may also check here ( ) and return this portion of the Public Notice to: Bettina Chaisson, Regulatory Division, U.S. Army Corps of Engineers, 696 Virginia Road, Concord, MA 01742-2751.

NAME: \_\_\_\_\_  
ADDRESS: \_\_\_\_\_

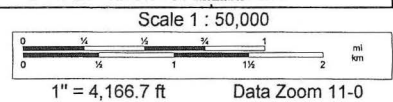
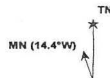


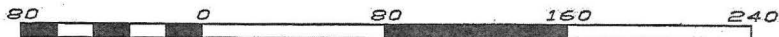
**LOCUS PLAN**  
**PAWTUCKET BY THE SEA 6 SLIP LIMITED MARINA & DREDGE PROJECT**  
 AP 292, LOTS 187, 188 & 189, WARWICK, RI 02888, 12-20-14

Data use subject to license.

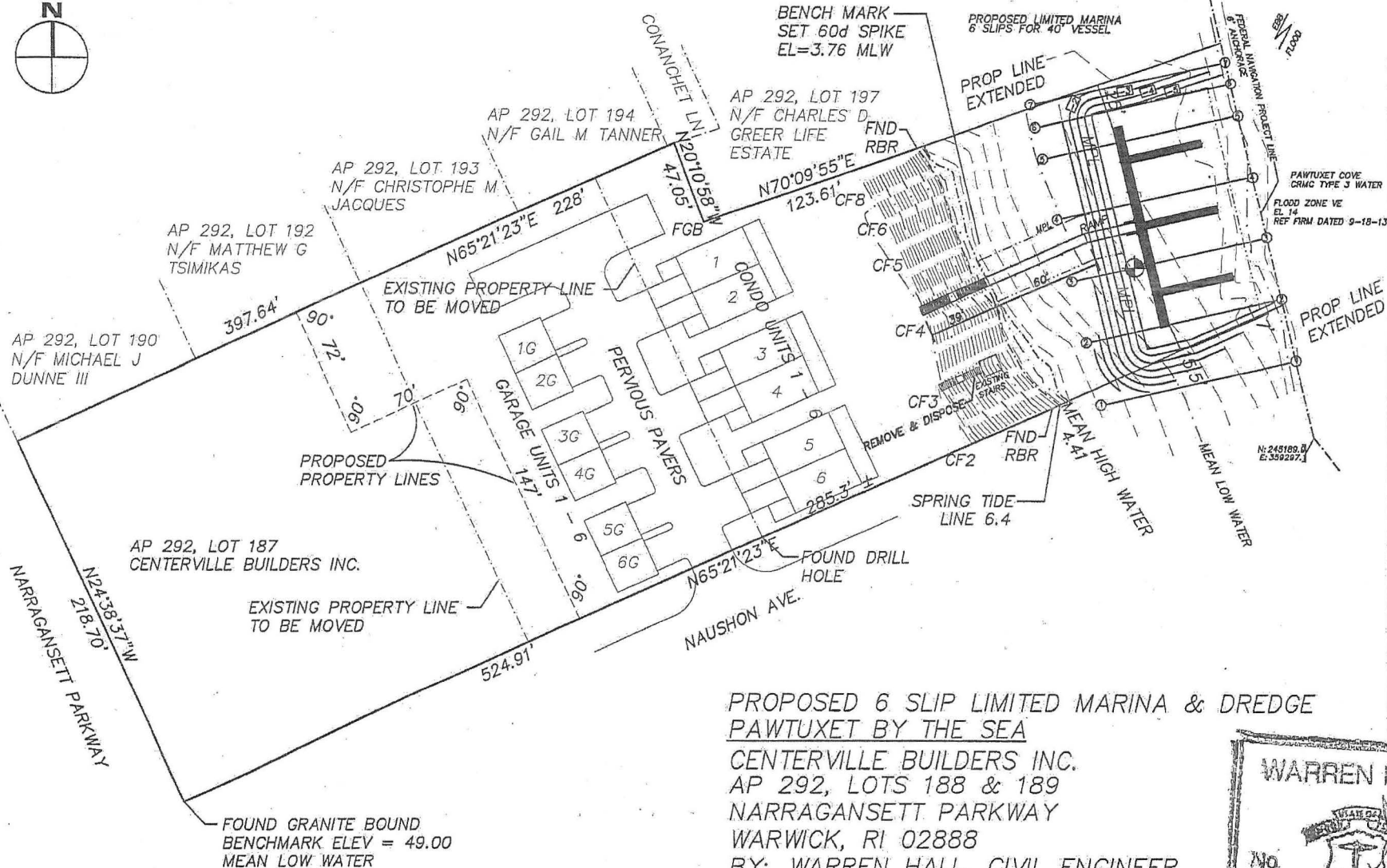
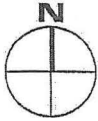
© 2006 DeLorme. Topo USA® 6.0.

www.delorme.com





Scale 1" = 80'



PROPOSED 6 SLIP LIMITED MARINA & DREDGE  
 PAWTUXET BY THE SEA  
 CENTERVILLE BUILDERS INC.  
 AP 292, LOTS 188 & 189  
 NARRAGANSETT PARKWAY  
 WARWICK, RI 02888  
 BY: WARREN HALL, CIVIL ENGINEER  
 DEC 4, 2014 1"=80'  
 SHEET 3 OF 10

WARREN F HALL

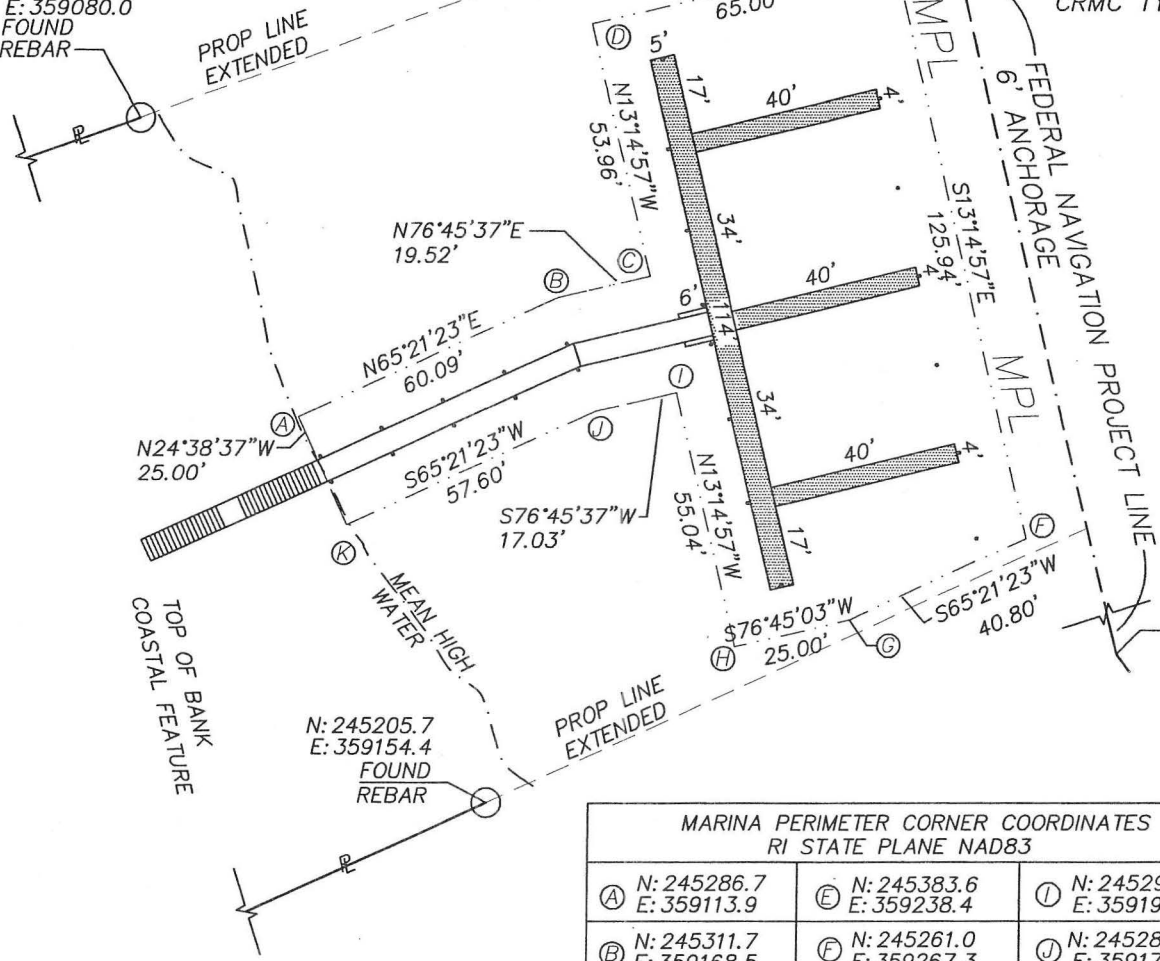
REGISTERED PROFESSIONAL ENGINEER



N: 245349.2  
E: 359080.0  
FOUND  
REBAR

N: 246262.6  
E: 359044.5

PAWTUXET COVE  
CRMC TYPE 3 WATER



TOP OF BANK  
COASTAL FEATURE

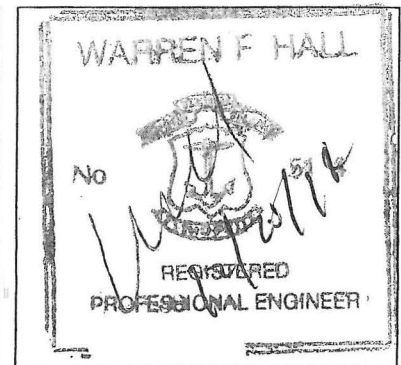
N: 245205.7  
E: 359154.4  
FOUND  
REBAR

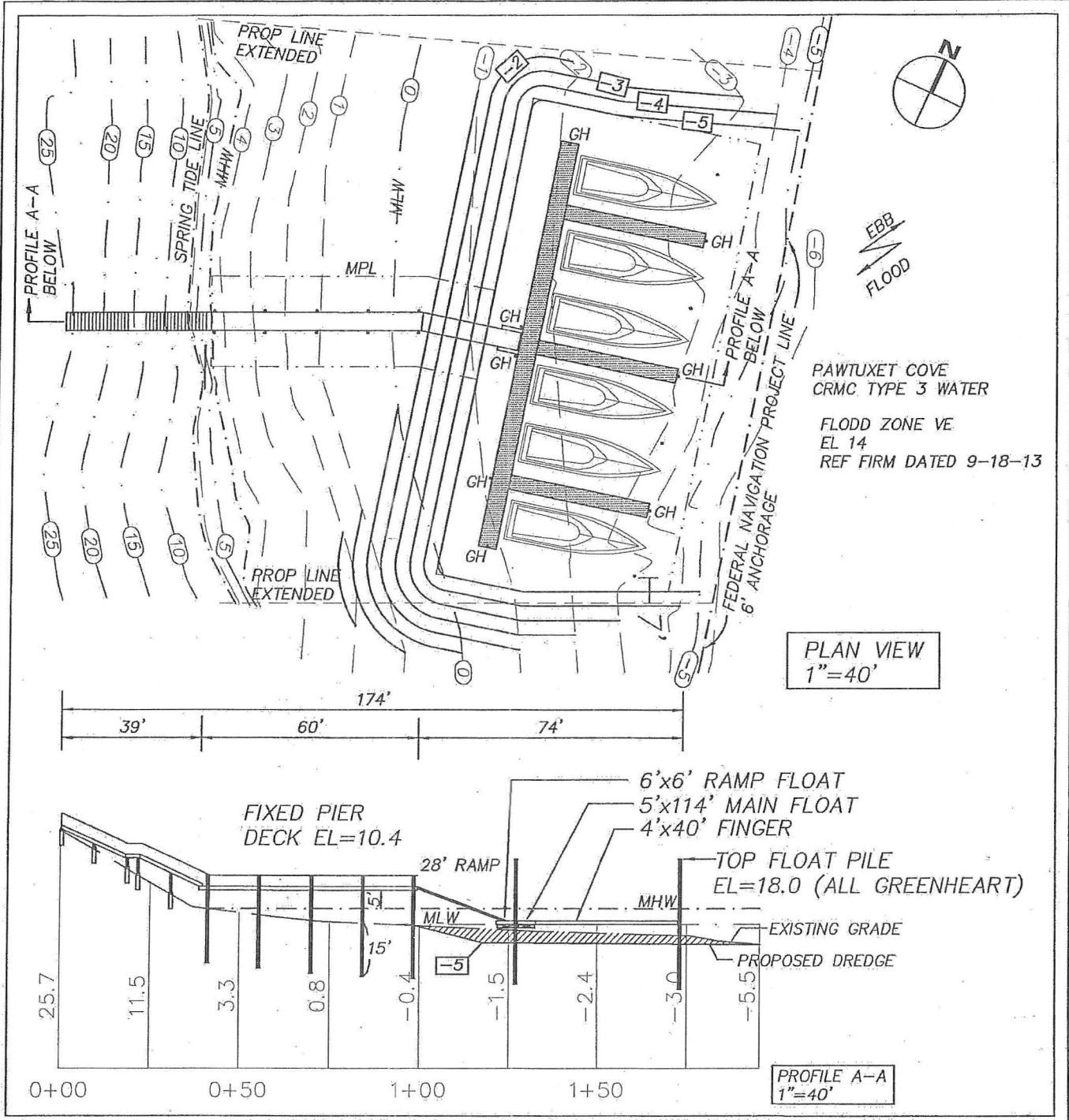
N: 245189.9  
E: 359297.1

MARINA PERIMETER CORNER COORDINATES RI STATE PLANE NAD83		
(A) N: 245286.7 E: 359113.9	(E) N: 245383.6 E: 359238.4	(I) N: 245291.9 E: 359193.2
(B) N: 245311.7 E: 359168.5	(F) N: 245261.0 E: 359267.3	(J) N: 245288.0 E: 359176.7
(C) N: 245316.2 E: 359187.5	(G) N: 245244.0 E: 359230.2	(K) N: 245263.9 E: 359124.3
(D) N: 245368.7 E: 359175.1	(H) N: 245238.3 E: 359205.8	

MPL MARINA PERIMETER LINE  
AREA WITHIN MPL = .24 ACRES  
IN WATER DENSITY = 6/.24 = 25

MARINA PERIMETER LINE  
PROPOSED 6 SLIP LIMITED MARINA & DREDGE  
PAWTUXET BY THE SEA  
CENTERVILLE BUILDERS INC.  
AP 292, LOTS 188 & 189  
NARRAGANSETT PARKWAY  
WARWICK, RI 02888  
BY: WARREN HALL, CIVIL ENGINEER  
DEC 4, 2014 1"=40' SHEET 4 OF 10



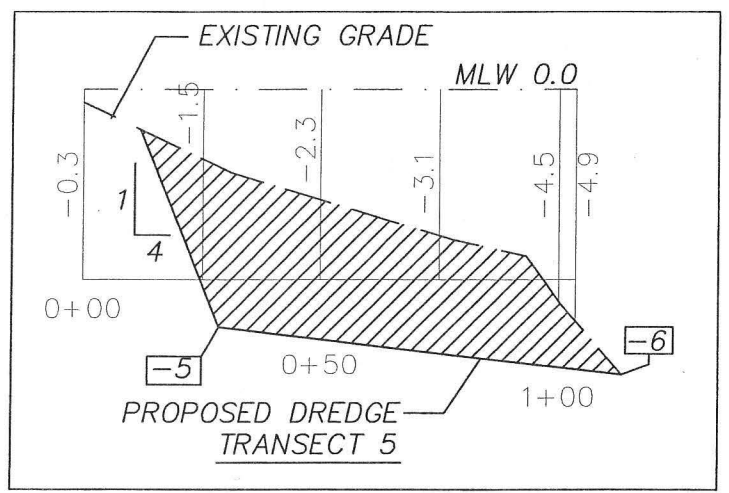
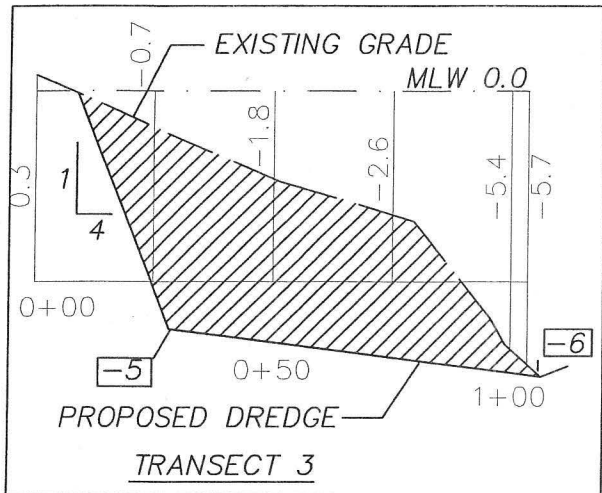
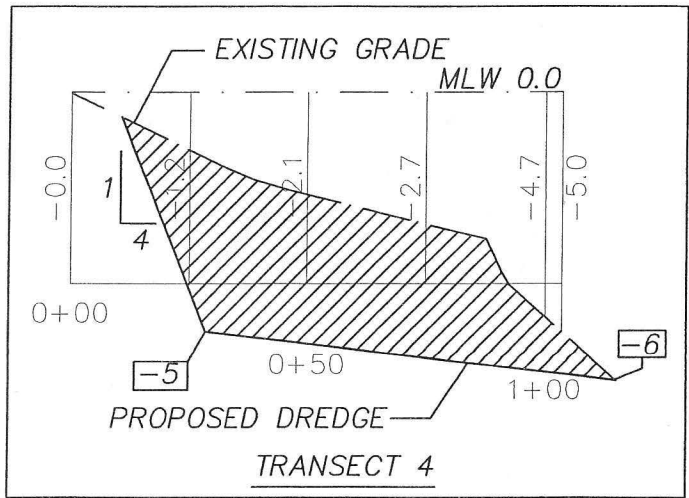
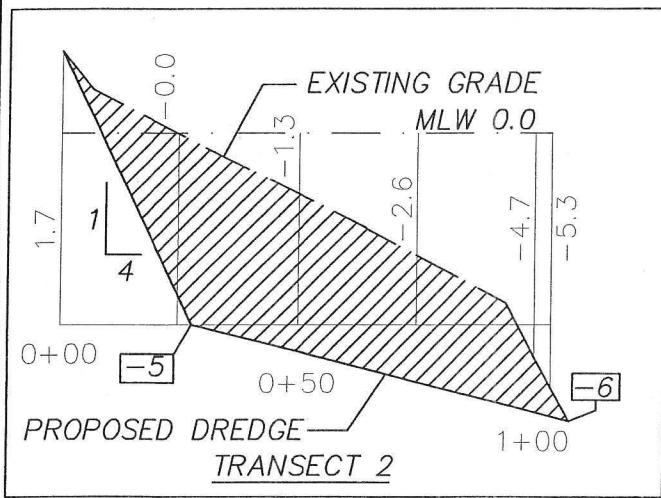


SLIP LAYOUT, PLAN & PROFILE  
 PROPOSED 6 SLIP LIMITED MARINA & DREDGE  
 PAWTUXET BY THE SEA  
 CENTERVILLE BUILDERS INC.  
 AP 292, LOTS 188 & 189  
 NARRAGANSETT PARKWAY  
 WARWICK, RI 02888  
 BY: WARREN HALL, CIVIL ENGINEER  
 DEC 4, 2014 1"=40' SHEET 5 OF 10

WARREN F. HALL

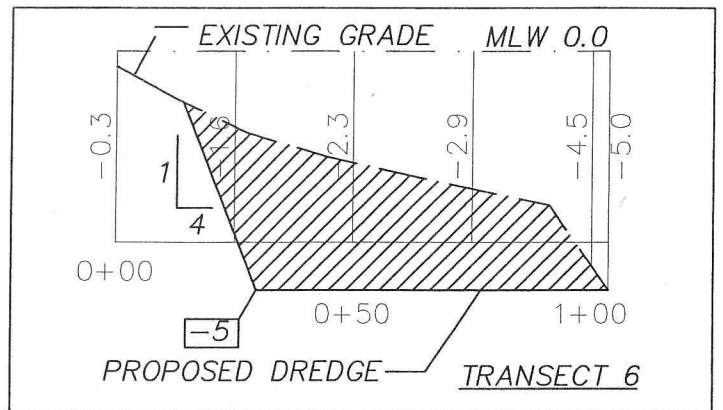
No 51

REGISTERED  
 PROFESSIONAL ENGINEER

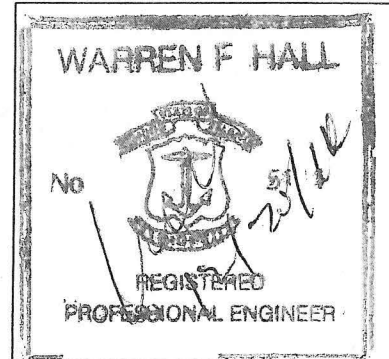


TRANSECT 1 & 7  
NO CHANGE IN  
PROFILE

SCALE:  
HORIZ 1"=40'  
VERT 1"=4'



TRANSECT 2 THRU 6 PROPOSED DREDGE  
PROPOSED 6 SLIP LIMITED MARINA & DREDGE  
PAWTUXET BY THE SEA  
CENTERVILLE BUILDERS INC.  
AP 292, LOTS 188 & 189  
NARRAGANSETT PARKWAY  
WARWICK, RI 02888  
BY: WARREN HALL, CIVIL ENGINEER  
DEC 4, 2014 SHEET 6 OF 10





## Summary of Essential Fish Habitat (EFH) Designation

### 10 x 10 Square Coordinates:

Boundary	North	East	South	West
Coordinate	41° 50.0 N	71° 10.0 W	41° 40.0 N	71° 20.0 W

**Square Description (i.e. habitat, landmarks, coastline markers):** The waters within the square within the Narragansett Bay estuary affecting the following: Mt. Hope Bay, west of Fall River, MA., south of Barrington Beach and Barrington, RI., as well as the following: Belcher Cove, the Runnins River, Warren River, Palmer River, Barrington River, Bristol Harbor, Kickamuit River, Cedar Cove, Cole River, Chase Cove, the Bristol Narrows, Lee River, and the Hundred Acre Cove. These waters also affect the following: Mt. Hope, RI., Touisset, RI., Touisset Highlands, RI., Toweset Pt., Coggeshall, RI., Spar I., Rumstick Rock, Rumstick Shoal, Neck, and Pt., Tyler Pt., Warren, RI., and New Meadow Neck on The Palmer and Barrington Rivers, Adams Pt. on the Palmer River, Sewammock Neck, Borden, Flats, Old Bay Rock and Gardiners Neck south of Swansea, MA., and Ocean Grove, MA. Finally, these waters affecting eastern Bristol Neck, and Bristol, RI., except for the tip of Mt. Hope Pt., and except for Bristol Neck from Church Cove, south around Bristol Pt., back up to Bristol Harbor, as well as Popaquash Neck except for the part from Bristol Harbor, south past Usher Cove and around Popaquash Pt., up to half way up the west coast of Popaquash Neck. The northeast corner of this square is within the mixing water salinity zone for Narragansett Bay, at the entrance to the Taunton River.

Species	Eggs	Larvae	Juveniles	Adults
Atlantic cod ( <i>Gadus morhua</i> )				
haddock ( <i>Melanogrammus aeglefinus</i> )		X		
pollock ( <i>Pollachius virens</i> )				
whiting ( <i>Merluccius bilinearis</i> )				
red hake ( <i>Urophycis chuss</i> )		X	X	X
white hake ( <i>Urophycis tenuis</i> )				
redfish ( <i>Sebastes fasciatus</i> )	n/a			
witch flounder ( <i>Glyptocephalus cynoglossus</i> )				
winter flounder ( <i>Pseudopleuronectes americanus</i> )	X	X	X	X
yellowtail flounder ( <i>Limanda ferruginea</i> )				
windowpane flounder ( <i>Scophthalmus aquosus</i> )	X	X	X	X
American plaice ( <i>Hippoglossoides platessoides</i> )		X	X	X
ocean pout ( <i>Macrozoarces americanus</i> )				
Atlantic sea scallop ( <i>Placopecten magellanicus</i> )				
Atlantic sea herring ( <i>Clupea harengus</i> )		X	X	X

monkfish ( <i>Lophius americanus</i> )				
bluefish ( <i>Pomatomus saltatrix</i> )			X	X
long finned squid ( <i>Loligo pealeii</i> )	n/a	n/a		
short finned squid ( <i>Illex illecebrosus</i> )	n/a	n/a		
Atlantic butterfish ( <i>Peprilus triacanthus</i> )				
Atlantic mackerel ( <i>Scomber scombrus</i> )	X	X	X	X
summer flounder ( <i>Paralichthys dentatus</i> )		X	X	X
scup ( <i>Stenotomus chrysops</i> )	X	X	X	X
black sea bass ( <i>Centropristis striata</i> )	n/a		X	X
surf clam ( <i>Spisula solidissima</i> )	n/a	n/a		
ocean quahog ( <i>Artica islandica</i> )	n/a	n/a		
spiny dogfish ( <i>Squalus acanthias</i> )	n/a	n/a		
tilefish ( <i>Lopholatilus chamaeleonticeps</i> )				
king mackerel ( <i>Scomberomorus cavalla</i> )	X	X	X	X
Spanish mackerel ( <i>Scomberomorus maculatus</i> )	X	X	X	X
cobia ( <i>Rachycentron canadum</i> )	X	X	X	X